



MR SERIES

Mortise Locks

Grade 1



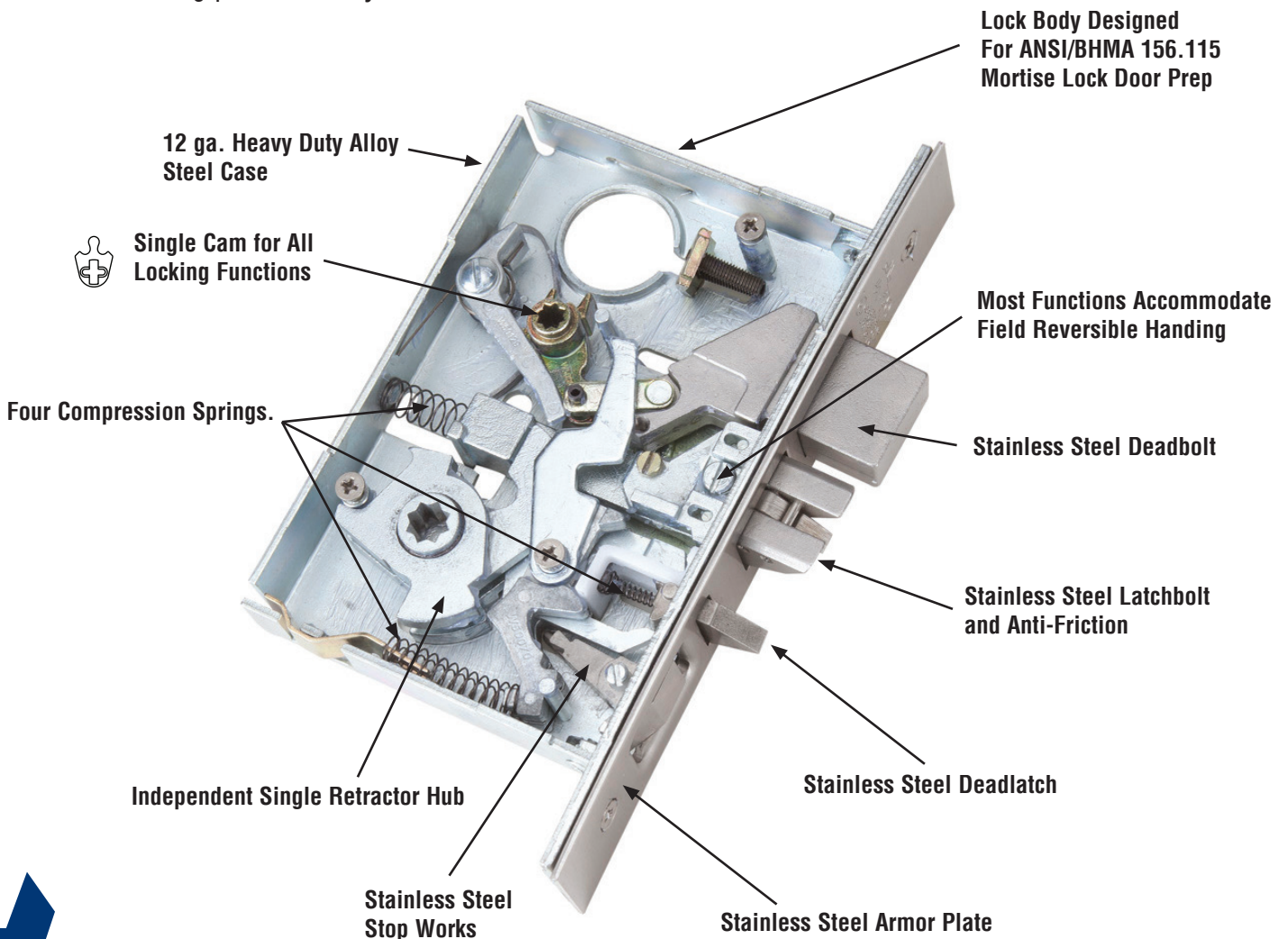
pdqlocks.com

TABLE OF CONTENTS

| | |
|--|-------|
| WHAT MAKES A GREAT LOCK | 2-3 |
| PRODUCT SPECIFICATIONS | 4 |
| FUNCTIONS..... | 5-9 |
| INDICATORS..... | 10 |
| CROSS REFERENCE TABLES | 11 |
| F SERIES TRIM | 12-13 |
| J SERIES TRIM..... | 14-19 |
| ELECTRIFIED LOCKING/UNLOCKING (FAIL SECURE/FAIL SAFE)..... | 20 |
| REQUEST TO EXIT, LATCH BOLT MONITORING, ELECTRIC STRIKES , POWER SUPPLIES..... | 21-22 |
| POWER TRANSFER HINGES | 23 |
| KEYED SWITCHES..... | 24 |
| CYLINDERS, CORES, KEYWAYS..... | 25 |
| STRIKES, ADDITIONAL OPTIONS, HANDING..... | 26-27 |
| MJ SERIES MORTISE DEADBOLTS..... | 28-30 |
| ARCHITECTURAL SPECIFICATIONS | 31 |

WHAT MAKES A GREAT LOCK

- US Patent #5,813,255
- Exceeds 12 Million Cycles (Over 12 times the ANSI/BHMA A156.13-2012 Security Grade 1 Standard)
- Less moving parts than any other Mortise Lock



THREE ESCUTCHEON DESIGNS



F SERIES

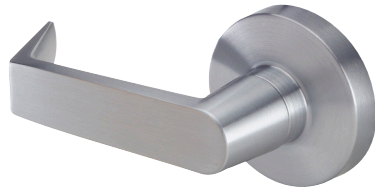


J SERIES



J WIDE SERIES

TWO SECTIONAL TRIM DESIGNS (SPECIFIC TO SERIES)



ROUND ROSE



OPTIONAL SQUARE ROSE

DECORATIVE LEVER COLLECTION (SPECIFIC TO SERIES)



BOSTON



CHICAGO



DALLAS



HOUSTON



LOS ANGELES



MEMPHIS



MIAMI



ORLANDO



PHILADELPHIA



BALL KNOB

FINISH OPTIONS (SPECIFIC TO SERIES)



605 (US3)
Bright Brass,
Clear Coated



606 (US4)
Satin Brass,
Clear Coated



612 (US10)
Satin Bronze,
Clear Coated



613 (US10B)
Oil Rubbed Bronze,
Oxidized Satin
Bronze, Oil Rubbed,
No Coating



622 (US19)
Flat Black



626 (US26D)
Satin Chromium
Plated, No Coating



629 (US32)
Bright Stainless
Steel, No Coating



630 (US32D)
Satin Stainless
Steel, No Coating

Note: PDQ offers full stainless steel levers, ball knobs, roses, collars and escutcheons which comply with ANSI/BHMA Finish 630. Specify 630 in lieu of 619.



F SERIES



J SERIES



J WIDE SERIES

SPECIFICATIONS

- DOOR PREP:** • Fits standard ANSI/BHMA A156.115 for Mortise Locks.
- FOR DOORS:** • 1-3/4" standard, 2" and 2-1/4" special order from factory.
- BACKSET:** • 2-3/4"
- CASE:** • 12-gauge cold rolled steel mechanism • Dichromated for corrosion resistance
- ARMOR FRONT:** • Beveled 1/8" on 2" • 625(US26) & 630 (US32D) use stainless steel as base material, all other finishes use stainless steel or brass as base material
- STRIKE:** • Non-handed Curved Lip Strike • 625(US26) & 630 (US32D) use stainless steel as base material, all other finishes use stainless steel or brass as base material
- LATCHBOLT:** • 3/4" Throw • Investment Cast Stainless Steel • Anti-friction
- DEADBOLT:** • 1" Throw • Investment Cast Stainless Steel
- HANDING:** • Most functions field reversible. Specify handing for strikes, consult factory for details
- TRIM:** • F trim - forged brass levers, escutcheons and turns.
• J & JW trim - stainless steel escutcheon and levers, PHL, MEM, MIA and BSN are solid levers, LA, HOU, ORL, DAL and CHI are tube levers. Ball Knobs are wrought.
- KEYS:** • Two (2) per Lock
- KEYWAYS:** • SCC standard (Schlage C Compatible) • Also available in keyways of other manufacturers
- INTERCHANGEABLE CORE:** • 6 or 7-pin • Compatible with Best, Falcon & Arrow
• Large Format IC Cores compatible with Schlage.
- CYLINDER:** • 6 or 7-pin Brass Mortise Cylinder
- KEYING:** • Options: MK, CMK or GMK • Zero Bitted (KO), Keyed Different (KD) or Keyed Alike (KA)
Can be keyed into existing master key systems
- FINISHES:** • F Series Trim: 626 (US26D)
• J and JW Series Trim: 605 (US3), 606 (US4), 612 (US10), 613 (US10B), 622 (US19), 629 (US32) , 630 (US32D)
• Antimicrobial Coating available on 626 (US26D) & 630 (US32D) for F, J, and J Wide Series.

CERTIFICATIONS, LISTINGS COMPLIANCES:

- UL/CUL 10C listed for 3 hrs, for single doors up to 4'0" x 8'0"
- Certified to ANSI/BHMA 156.13-2005 Operational Grade 1 and Security Grade 1
- Windstorm Rated - Florida Building Code HVHZ (High Velocity Hurricane Zone) listed. Contact PDQ Technical Service for more information.
- Complies with ADA (Americans with Disabilities Act) and ICC/ANSI 117.1 for Accessible and Usable Buildings
- J Wide Series Escutcheon Trim complies with Unified Facilities Guide Specification 08 71 00 (August 2008)
- Meets Federal Specification FF-H-106C

WARRANTY:







- Lifetime Limited Warranty

COUNTRY OF ORIGIN:

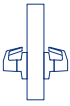
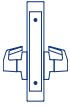
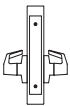
- Assembled in the U.S.A. with U.S. and foreign material. Meets requirements of the Buy American Act.
- Note: Heavy Duty Spindle for High Abuse situations is available for F trim.

‡ Available with antimicrobial coating, technology that is known to inhibit the growth of microbes.

PDQ FUNCTIONS – NON KEYED

| FUNCTION | FUNCTION NUMBER | OUTSIDE INSIDE | DESCRIPTION | ANSI NUMBER |
|--------------------------------------|-----------------|--|--|-------------|
| Passage | MR126 |  | <ul style="list-style-type: none"> Latchbolt operated by lever from either side <p> Available with option LM - Latch Bolt Monitor</p> | F01 |
| Privacy with Thumbturn on Both Sides | MR174 |  | <ul style="list-style-type: none"> Latchbolt operated by lever from either side Thumbturn outside locks/unlocks outside lever Thumbturn inside locks/unlocks outside lever Closing door unlocks outside lever Rotating inside lever unlocks outside lever | — |
| Privacy | MR176 |  | <ul style="list-style-type: none"> Latchbolt operated by lever from either side Emergency coin turn outside unlocks outside lever Thumbturn inside locks/unlocks outside lever Closing door unlocks outside lever Rotating inside lever unlocks outside lever | F22 |
| Privacy with Deadbolt | MR178 |  | <ul style="list-style-type: none"> Latchbolt operated by lever from either side Emergency coin turn outside retracts deadbolt Thumbturn inside extends/retracts deadbolt Not field reversible Specify handing | F02 |
| Privacy with Deadbolt and Egress | MR179 |  | <ul style="list-style-type: none"> Latchbolt operated by lever from either side Emergency coin turn outside retracts deadbolt Thumbturn inside extends/retracts deadbolt Inside lever simultaneously retracts latchbolt and deadbolt | F19 |



PDQ FUNCTIONS – NON KEYED DUMMY

| FUNCTION | FUNCTION NUMBER | OUTSIDE INSIDE | DESCRIPTION | ANSI NUMBER |
|-------------------------------|-----------------|---|---|-------------|
| Double Dummy | MR205 |  | <ul style="list-style-type: none"> Rigid outside lever Rigid inside lever | — |
| Double Dummy with Chassis | MR206 |  | <ul style="list-style-type: none"> Rigid outside lever Rigid inside lever | — |
| Double Dummy with Active Trim | MR207 |  | <ul style="list-style-type: none"> Moveable outside lever Moveable inside lever | — |

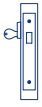





INDICATES RIGID LEVER

PDQ FUNCTIONS – NON KEYED DUMMY

| FUNCTION | FUNCTION NUMBER | OUTSIDE INSIDE | DESCRIPTION | ANSI NUMBER |
|---------------------------|-----------------|---|---|-------------|
| Single Dummy | MR211 |  | <ul style="list-style-type: none"> • Rigid outside lever | — |
| Single Dummy with Chassis | MR212 |  | <ul style="list-style-type: none"> • Rigid outside lever | — |

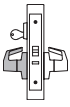

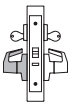








PDQ FUNCTIONS – DEADLOCKS

| FUNCTION | FUNCTION NUMBER | OUTSIDE INSIDE | DESCRIPTION | ANSI NUMBER |
|---------------------------------|-----------------|---|--|-------------|
| Single Cylinder Deadbolt | MR131 |  | <ul style="list-style-type: none"> • Key outside extends/retracts deadbolt | F18 |
| Cylinder and Thumbturn Deadbolt | MR132 |  | <ul style="list-style-type: none"> • Key outside extends/retracts deadbolt • Thumbturn inside extends/retracts deadbolt | F17 |
| Double Cylinder Deadbolt | MR133 |  | <ul style="list-style-type: none"> • Key outside extends/retracts deadbolt • Key inside extends/retracts deadbolt | F16 |
| Classroom Deadbolt | MR134 |  | <ul style="list-style-type: none"> • Key outside extends/retracts deadbolt • Inside cylinder turn retracts but does not extend deadbolt • Not field reversible • Specify handing | F29 |



INDICATES RIGID LEVER




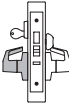
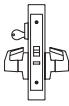


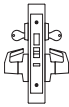


PDQ FUNCTIONS – KEYED

| FUNCTION | FUNCTION NUMBER | OUTSIDE INSIDE | DESCRIPTION | ANSI NUMBER |
|---------------------------|-----------------|---|---|-------------|
| Hold Back Single Cylinder | MR113 |  | <ul style="list-style-type: none"> • Latchbolt operated by lever from inside • Key outside retracts latchbolt • Rigid outside lever • Auxiliary latch deadlocks latchbolt • Key outside secures latchbolt when latchbolt is retracted by inside lever • Not field reversible • Specify handing  Available with option LM - Latch Bolt Monitor | F06 |
| Hold Back Double Cylinder | MR114 |  | <ul style="list-style-type: none"> • Latchbolt operated by lever from inside • Key outside retracts latchbolt • Rigid outside lever • Auxiliary latch deadlocks latchbolt • Key inside secures latchbolt when latchbolt is retracted by inside lever • Not field reversible • Specify handing | — |
| Storeroom | MR115 |  | <ul style="list-style-type: none"> • Latchbolt operated by lever from inside • Key outside retracts latchbolt • Rigid outside lever • Auxiliary latch deadlocks latchbolt  Available with option LM - Latch Bolt Monitor | F07 |
| Entry | MR116 |  | <ul style="list-style-type: none"> • Latchbolt operated by lever from either side • Toggle locks/unlocks outside lever • Key outside retracts latchbolt • Auxiliary latch deadlocks latchbolt  Available with option LM - Latch Bolt Monitor | F04 |
| Front Door | MR117 |  | <ul style="list-style-type: none"> • Latchbolt operated by lever from either side • Toggle locks/unlocks outside lever • Key outside retracts latchbolt • Key outside extends/retracts deadbolt • Thumbturn inside extends/retracts deadbolt | F08 or F10 |
| Institution with Deadbolt | MR128 |  | <ul style="list-style-type: none"> • Key outside retracts latchbolt • Key inside retracts latchbolt • Key outside extends/retracts deadbolt • Key inside extends/retracts deadbolt • Rigid outside lever • Rigid inside lever • Auxiliary latch deadlocks latchbolt | — |
| Entrance/Storeroom | MR135 |  | <ul style="list-style-type: none"> • Latchbolt operated by lever from either side • Key outside extends/retracts deadbolt • Thumbturn inside extends/retracts deadbolt | F21 |
| Dormitory/Exit | MR136 |  | <ul style="list-style-type: none"> • Latchbolt operated by lever from either side • Key outside extends/retracts deadbolt • Thumbturn inside extends/retracts deadbolt • Inside lever simultaneously retracts latchbolt and deadbolt • Auxiliary latch deadlocks latchbolt | F13 |



INDICATES RIGID LEVER

PDQ FUNCTIONS – KEYED

| FUNCTION | FUNCTION NUMBER | OUTSIDE INSIDE | DESCRIPTION | ANSI NUMBER |
|----------------------------------|-----------------|---|--|-------------|
| Store Door | MR137 |  | <ul style="list-style-type: none"> Latchbolt operated by lever from either side Key outside extends/retracts deadbolt Key inside extends/retracts deadbolt | F14 |
| Institution | MR138 |  | <ul style="list-style-type: none"> Key outside retracts latchbolt Key inside retracts latchbolt Rigid outside lever Rigid inside lever Auxiliary latch deadlocks latchbolt | F30 |
| Closet / Storeroom | MR139 |  | <ul style="list-style-type: none"> Latchbolt operated by lever from either side Key outside extends/retracts deadbolt | — |
| Storeroom with Deadbolt | MR141 |  | <ul style="list-style-type: none"> Latchbolt operated by lever from inside Key outside retracts latchbolt Key outside extends/retracts deadbolt Rigid outside lever Inside lever simultaneously retracts latchbolt and deadbolt Auxiliary latch deadlocks latchbolt Thumbturn inside extends/contracts deadbolt but doesn't effect outside lever. | — |
| Classroom | MR148 |  | <ul style="list-style-type: none"> Latchbolt operated by lever from either side Key outside retracts latchbolt Inside Lever Always Free Auxiliary latch deadlocks latchbolt | F05 |
| Assisted Living | MR149 |  | <ul style="list-style-type: none"> Latchbolt operated by lever from either side Key outside locks/unlocks outside lever Thumbturn inside locks/unlocks outside lever Closing door unlocks outside lever Rotating inside lever unlocks outside lever Auxiliary latch deadlocks latchbolt | — |
| Entrance | MR154 |  | <ul style="list-style-type: none"> Latchbolt operated by lever from either side Toggle locks/unlocks outside lever Key outside retracts latchbolt Key outside extends/retracts deadbolt Thumbturn inside extends/retracts deadbolt Inside lever simultaneously retracts latchbolt and deadbolt Auxiliary latch deadlocks latchbolt Projecting then retracting the deadbolt releases the toggle | — |
| Intruder Deadbolt with Deadlatch | MR157 |  | <ul style="list-style-type: none"> Latchbolt operated by lever from either side Key outside extends/retracts deadbolt Key inside extends/retracts deadbolt Inside lever simultaneously retracts latchbolt and deadbolt Auxiliary latch deadlocks latchbolt | F34 |
| Dormitory | MR158 |  | <ul style="list-style-type: none"> Latchbolt operated by lever from either side Toggle locks/unlocks outside lever Key outside extends/retracts deadbolt Key inside extends/retracts deadbolt Inside lever simultaneously retracts latchbolt and deadbolt Auxiliary latch deadlocks latchbolt | F11 |
| Dormitory | MR159 |  | <ul style="list-style-type: none"> Latchbolt operated by lever from either side Key outside extends/retracts deadbolt Key inside extends/retracts deadbolt Inside lever simultaneously retracts latchbolt and deadbolt | F33 |

 Available with option LM - Latch Bolt Monitor



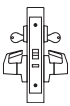

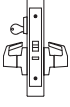


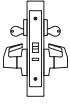

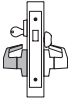
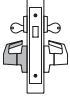
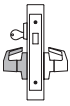


 Available with option LM - Latch Bolt Monitor



INDICATES RIGID LEVER

PDQ FUNCTIONS – KEYED

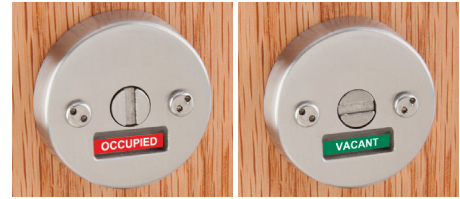
| FUNCTION | FUNCTION NUMBER | OUTSIDE INSIDE | DESCRIPTION | ANSI NUMBER |
|--|--|---|---|-------------|
| Apartment/ Corridor | MR162 |  | <ul style="list-style-type: none"> • Latchbolt operated by lever from either side • Toggle locks/unlocks outside lever • Key outside retracts latchbolt • Key outside extends/retracts deadbolt • Thumbturn inside extends/retracts deadbolt • Inside lever simultaneously retracts latchbolt and deadbolt • Auxiliary latch deadlocks latchbolt | F20 |
| Office | MR181 |  | <ul style="list-style-type: none"> • Latchbolt operated by lever from either side • Key outside locks/unlocks outside lever • Thumbturn inside locks/unlocks outside lever • Closing door unlocks outside lever • Rotating inside lever unlocks outside lever • Auxiliary latch deadlocks latchbolt | — |
| Apartment | MR186 |  | <ul style="list-style-type: none"> • Latchbolt operated by lever from either side • Key inside locks/unlocks outside lever • Key outside retracts latchbolt • Auxiliary latch deadlocks latchbolt | F09 |
| Electrified Storeroom |  MR199A |  | <ul style="list-style-type: none"> • Key outside retracts latchbolt • Latchbolt operated by lever from inside • Auxiliary latch deadlocks latchbolt • Fail safe – latchbolt operated by lever from outside unless electrically locked • Fail secure – latchbolt operated by lever from outside when electrically unlocked • Motor drive locking/unlocking • Not field reversible • Specify handing <p> Available with options: LM - Latch Bolt Monitor REX - Request to Exit</p> | — |
| Electrified Institutional |  MR200 |  | <ul style="list-style-type: none"> • Key outside retracts latchbolt • Key inside retracts latchbolt • Auxiliary latch deadlocks latchbolt • Fail safe – latchbolt operated by either lever when electrically locked • Fail secure – latchbolt operated by either lever when electrically unlocked • Motor drive locking/unlocking • Not field reversible • Specify handing <p> Available with options: LM - Latch Bolt Monitor REX - Request to Exit</p> | — |
| Cylinder and Thumbturn Deadbolt with Dummy Trim | MR213 |  | <ul style="list-style-type: none"> • Key outside extends/retracts deadbolt • Thumbturn inside extends/retracts deadbolt • Rigid outside lever • Rotating inside lever retracts deadbolt | — |
| Double Cylinder Deadbolt with Dummy Trim | MR214 |  | <ul style="list-style-type: none"> • Key outside extends/retracts deadbolt • Key inside extends/retracts deadbolt • Rigid outside lever • Rotating inside lever retracts deadbolt | — |
| Single Cylinder Deadbolt with Dummy Trim | MR215 |  | <ul style="list-style-type: none"> • Key outside extends/retracts deadbolt • Rigid outside lever • Rotating inside lever retracts deadbolt | — |



INDICATES RIGID LEVER

PDQ INDICATOR FUNCTIONS

- Locked/Unlocked Indicator conforms with ANSI Z535.1 Safety Colors: Red and Green.



Shown with optional Security Screws. For more information, contact PDQ Customer Service

| FUNCTION | FUNCTION NUMBER | OUTSIDE INSIDE | DESCRIPTION | ANSI NUMBER |
|--|-----------------|------------------|---|-----------------|
| Intruder Deadbolt with Deadlatch | MR257 | | <ul style="list-style-type: none"> • Latchbolt operated by lever from either side • Key outside extends/retracts deadbolt • Key inside extends/retracts deadbolt • Inside lever simultaneously retracts latchbolt and deadbolt • Auxiliary latch deadlocks latchbolt • Indicator, inside — LOCKED (red) UNLOCKED (green) | F34 w/Indicator |
| Dormitory | MR259 | | <ul style="list-style-type: none"> • Latchbolt operated by lever from either side • Key outside extends/retracts deadbolt • Key inside extends/retracts deadbolt • Inside lever simultaneously retracts latchbolt and deadbolt • Indicator, inside — LOCKED (red) UNLOCKED (green) | F33 w/Indicator |
| Faculty Restroom with Deadbolt w/Indicator | MR260 | | <ul style="list-style-type: none"> • Latchbolt retracted by key outside or lever inside • Key outside extends/retracts deadbolt • Rigid outside lever • Thumbturn inside extends/retracts deadbolt • Rotating inside lever retracts deadbolt and latchbolt simultaneously • Inside lever is always free for immediate egress • Indicator, outside — Vacant/Occupied | — |
| Privacy w/Indicator | MR276 | | <ul style="list-style-type: none"> • Latchbolt operated by lever from either side • Emergency coin turn outside unlocks outside lever • Thumbturn inside locks/unlocks outside lever • Closing door unlocks outside lever • Rotating inside lever unlocks outside lever • Indicator, outside — Vacant/Occupied | F22 w/Indicator |
| Privacy with Deadbolt w/Indicator | MR278 | | <ul style="list-style-type: none"> • Latchbolt operated by lever from either side • Emergency coin turn outside retracts deadbolt • Thumbturn inside extends/retracts deadbolt • Indicator, outside — Vacant/Occupied | F02 w/Indicator |
| Privacy with Deadbolt and Egress w/Indicator | MR279 | | <ul style="list-style-type: none"> • Latchbolt operated by lever from either side • Emergency coin turn outside retracts deadbolt • Thumbturn inside extends/retracts deadbolt • Inside lever simultaneously retracts latchbolt and deadbolt • Indicator, outside — Vacant/Occupied | F19 w/Indicator |

Notes: Functions MR257, MR259 and MR260 not available in 7 Pin SFIC or LFIC.



INDICATES RIGID LEVER

CROSS REFERENCE

| ANSI # | PDQ FUNCTION | ARROW | BEST | CORBIN | DORMA | FALCON | MARKS | SARGENT | SCHLAGE | YALE |
|---------------|---------------|-------------|----------|-------------|-----------|--------|---------|---------|------------|-------------|
| DUMMY 1 SIDE | MR211 | BM/AM08 | 45H1DT | ML2050 | M9001 | MA12 | DI/DO | 8293 | L0170 | AU865 |
| DUMMY 1 SIDE | MR212 | N/A | N/A | N/A | M9003 | N/A | N/A | N/A | L9175 | N/A |
| DUMMY 2 SIDES | MR207 | BM/AM09 | 45H2DT | ML2071 | M9002 | MA18 | DT | 8294 | L0172 | AU838A |
| DUMMY 2 SIDES | MR206 | N/A | N/A | N/A | M9004 | N/A | N/A | N/A | L9176 | N/A |
| F01 | MR126 | BM/AM01 | 45HN | ML2071 | M9010 | MA101 | 5N | 8215 | L9010 | AU8801FL |
| F02 | MR178 | N/A | N/A | ML2020 | N/A | MA301 | 5-55L | 8268 | N/A | N/A |
| F04 | MR116 | BM/AM22 | 45HA | ML2051 | M9050 | MA521 | 5E | 8205 | L9050 | AU8807FL |
| F05 | MR148 | BM/AM17 | 45HR | ML2055 | M9070 | MA561 | 5J | 8237 | L9070 | AU8808FL |
| F06 | MR113 | N/A | 45HR/HB | ML2056 | M9076 | MA551 | 5JM/JR | 8289 | L9076 | AU8800 |
| F07 | MR115 | BM/AM12 | 45HD | ML2057 | M9080 | MA581 | 5EW | 8204 | L9080 | AU8805FL |
| F09 | MR186 | BM/AM32 | 45HC | ML2042 | M9060 | MA381 | 5G | 8216 | L9060 | AU8817-2FL |
| F11 | MR158 | N/A | N/A | N/A | M9957 | N/A | 5FA | N/A | N/A | AU8800 |
| F13 | MR136 | BM/AM19 | 45HT | ML2065 | M9956 | MA571 | 5FW | 8225 | L9456 | AU8822FL |
| F14 | MR137 | BM/A/31 | 45HG | ML2017 | M9966 | MA371 | 5C | 8226 | L9466 | AU8860-2FL |
| F16 | MR133 | BM42 | 45HWD | ML2012 | N/A | M931 | 5T | 8222 | L9462 | AU8814-2 |
| F17 | MR132 | BM41 | 45HAD | ML2013 | N/A | M941 | 5P | 8221 | L9460 | AU8815 |
| F18 | MR131 | BM40 | 45HYB | NML2011 | N/A | MA921 | 5S | 8220 | L9464 | AU8814 |
| F19 | MR179 | BM/AM02 | 45HL | ML2030 | M9940 | MA311 | 5LF | 8266 | L9440 | AU8802FL |
| F20 | MR162 | BM/AM20 | 45HAB | ML2067 | M9953 | MA531 | 5FD | 8243 | L9453 | AU8847FL |
| F21 | MR135 | BM/AM13 | 45HB | ML2024 | M9973 | MA541 | 5B | 8224 | L9473 | AU8860FL |
| F22 | MR176 | BM/AM26 | 45HLT | ML2060 | M9040 | MA321 | 5LJ | 8265 | L9040 | AU8862FL |
| F29 | MR134 | BM44 | 45HRD | ML2017 | MB9963 | M911 | 5SC | 8203 | L9463 | AU8813ST |
| F30 | MR138 | BM/AM33 | 45HW | ML2032 | M9082 | MA411 | 5WW | N/A | L9082 | AU8830-2FL |
| F31 | SEE TJ SERIES | BM/AM07 | 45HNX | N/A | M9025 | MA161 | 5EX | N/A | N/A | AU8828 |
| F33 | MR159 | N/A | 45HIND | N/A | M9968 | N/A | 5FX | N/A | L9457 | AU8811-2FL |
| F34 | MR157 | N/A | 45HIDA | ML2022 | M9967 | MA431 | 5FC | 8240 | N/A | AU8812-2FL |
| | MR199A | BM/AM17/177 | 45HEL | ML22901 | M9080EL | MA851 | 5EL | 8270 | L9080EL | AU8890FL |
| | MR199A | BM/AM17/178 | 45HEU | ML22904 | M9080EU | MA881 | 5EU | 8270 | L9080EU | AU8891FL |
| | MR199A W/REX | N/A | 45HEURQE | ML22901 M92 | M9080ELRX | N/A | 5EL W10 | RX-8272 | L9080ELRX | AU8890FLREX |
| | MR199A W/REX | N/A | 45HEURQE | ML22904 M92 | M9080ELRX | N/A | 5EU W10 | RX-8273 | L9080EU-rx | AU8891FLREX |

| LEVER AND KNOB OPTIONS | PDQ | ARROW | BEST | CORBIN | DORMA | FALCON | MARKS | SARGENT | SCHLAGE | YALE |
|------------------------|--------------|-------|------|------------|-------|-----------|----------------|---------|-------------|---------------|
| LEVER | BOSTON | BR | 14 | PS | LC | Q QUANTUM | CRESCENT | P | 17SPARTA | PB PACIFIC |
| | CHICAGO | N | N/A | RS | LA | N/A | MAXWELL | ME | 02 | PNR |
| | DALLAS | HS | 3 | LS LUSTR | LT | K KIM | PLAZA LEVER | J | 03TUBULAR | CR CARMEL |
| | MEMPHIS | WL | 69 | DS | L114 | N/A | N/A | MV | 12 | TT |
| | MIAMI | V | 16 | AS | LG | A AVALON | TITAN LEVER | B | 07ATHENS | JN JEFFERSON |
| | ORLANDO | N/A | N/A | N/A | N/A | N/A | N/A | N/A | LATITUDE | N/A |
| | PHILADELPHIA | X | 15 | NS NEWPORT | LR | D DANE | AMERICAN LEVER | L | 06 RHODES | AU AUGUSTA |
| KNOB | N/A | HB | 4 | YW | KB | T TROY | ROUND KNOB | C | 41 PLYMOUTH | LF LITCHFIELD |
| | K | HT | N/A | GR | KB | H HANA | ROUND KNOB | B | 42 ORBIT | CA CAROLINA |
| | N/A | A | R | F | KB | G GALA | RW | N/A | B | R |

Information on this sheet is compiled from public documents and third parties. As a result, PDQ makes no guarantees as to their accuracy, content, quality or availability. Comparisons were made using the technical features only and are not commercial comparisons. Final suitability should be determined by a professional hardware consultant.

F SERIES



DECORATIVE LEVER COLLECTION



BOSTON



MIAMI



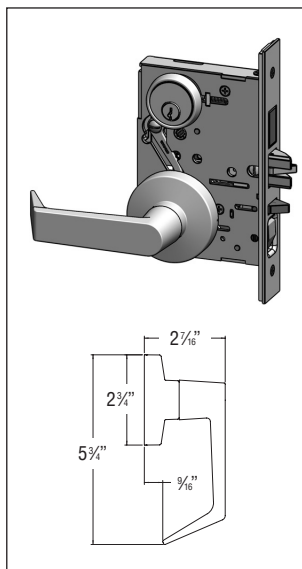
PHILADELPHIA

FINISH OPTIONS

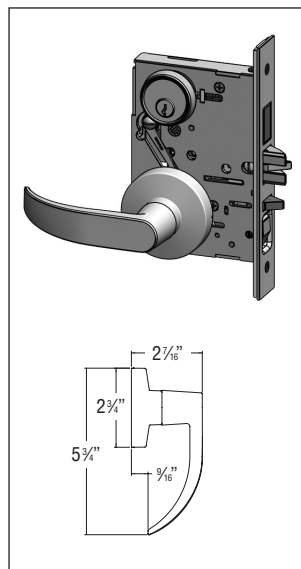


626 (US26D)
Satin Chromium
Plated, No Coating

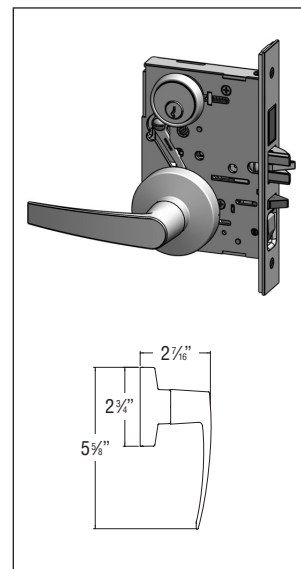
SECTIONAL TRIM



PHILADELPHIA (PFSF)



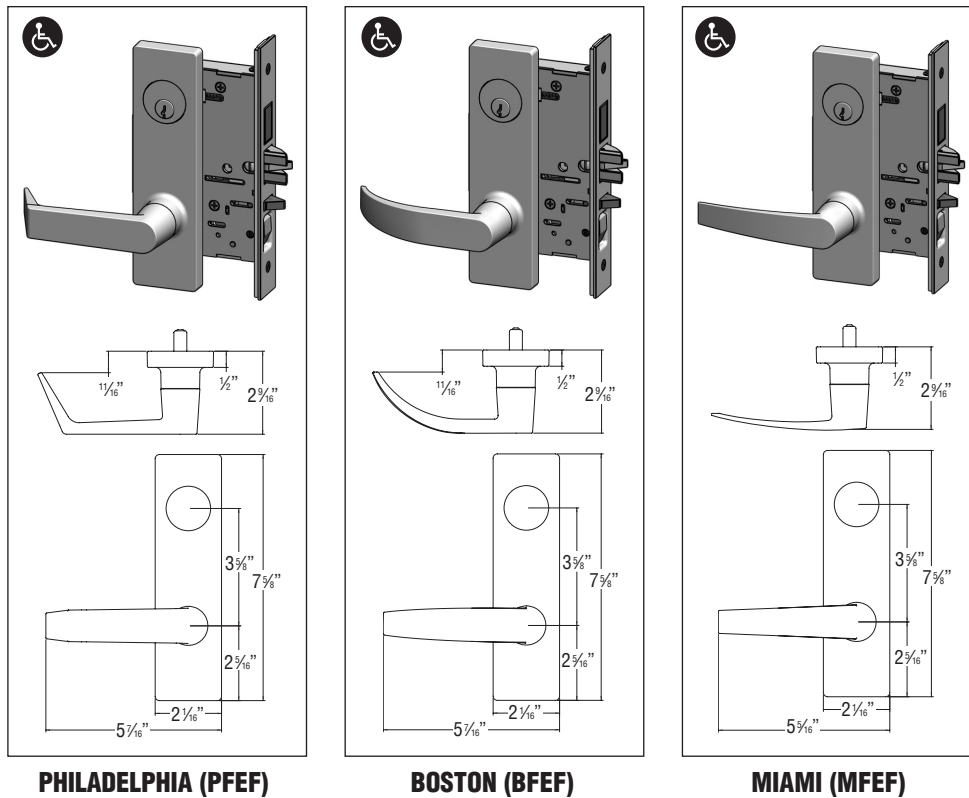
BOSTON (BFSF)



MIAMI (MFSF)

F SERIES

ESCUTCHEON TRIM



Denotes Compliance with ADA Guidelines

HOW TO ORDER F SERIES MORTISE LOCKS

| SERIES | FUNCTION | LEVER | TRIM | FINISH | HANDING ¹ | DOOR THICKNESS | CYLINDER | KEYWAY OR HOUSING | KEYING | OPTIONS |
|--|----------|---|---|------------|--|--|---|--|--------|---------|
| MR | 136 | PF | EF | 626 | RH | 134 | D | SCC | KD | — |
| NOTES: 1 - Specify handing for all functions 2 - PDQ Electrified Function 199A = PDQ Function MR115 Storeroom (ANSI F07) + Motorized Fail Secure/Fail Safe, Single Cylinder 3 - PDQ Electrified Function 200 = PDQ Function MR138 Institutional (ANSI F30) + Motorized Fail Secure/Fail Safe, Double Cylinder 4 - Factory Default: Fail Secure 5 - For Split Finishes, Contact PDQ Customer Service 6 - Compatible with all F, J and JW Series trim, any Sectional or Escutcheon. | | F-TRIM PF —PHL BF —BSN MF —MIA | F-TRIM EF — Escutcheon SF — Sectional Round Rose | 626 | RH — Right Hand (Default) RHR — Right Hand Reverse LH — Left Hand LHR — Left Hand Reverse | 134 — 1-3/4" 214 — 2-1/4" | D — Conventional Mortise Cylinder (Default) L — Less Cylinder SF6 — SFIC prepped w/ 6 pin core SF7 — SFIC prepped w/ 7 pin core LF6 — Schlage LFIC prepped w/ Schlage core SFL — SFIC prepped but less core LFL — Schlage LFIC prepped but less core | REX — Request to Exit (Functions 199A and 200only). AM — Antimicrobial Coating. LL — Lead Wrapped Case. ADA — Disability Turn. Additional options available | | |

J SERIES



**SECTIONAL TRIM WITH ROUND ROSE,
PHILADELPHIA LEVER**



**ESCUTCHEON TRIM,
PHILADELPHIA LEVER**



**WIDE ESCUTCHEON TRIM,
PHILADELPHIA LEVER**

DECORATIVE COLLECTION



BOSTON



CHICAGO



DALLAS



HOUSTON



LOS ANGELES



MEMPHIS



MIAMI



ORLANDO



PHILADELPHIA



BALL KNOB

FINISH OPTIONS



605 (US3)
Bright Brass,
Clear Coated



606 (US4)
Satin Brass,
Clear Coated



612 (US10)
Satin Bronze,
Clear Coated



613 (US10B)
Oil Rubbed Bronze,
Oxidized Satin
Bronze, Oil Rubbed,
No Coating



622 (US19)
Flat Black



626 (US26D)
Satin Chromium
Plated, No Coating



629 (US32)
Bright Stainless
Steel, No Coating

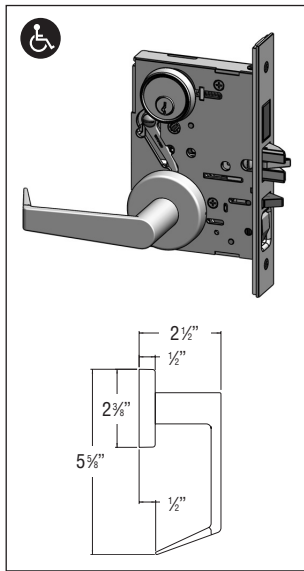


630 (US32D)
Satin Stainless
Steel, No Coating

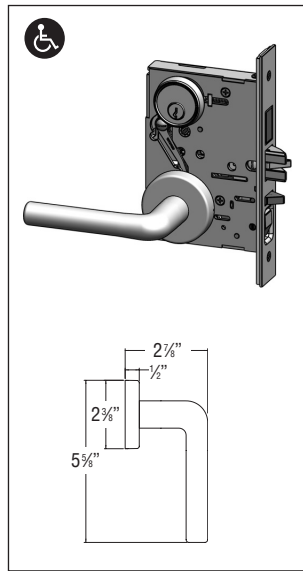
Note: PDQ offers full stainless steel levers, ball knobs, roses, collars and escutcheons which comply with ANSI/BHMA Finish 630. Specify 630 in lieu of 619.

J SERIES

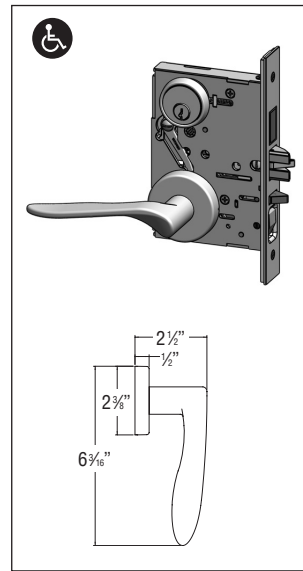
SECTIONAL TRIM WITH ROUND ROSE



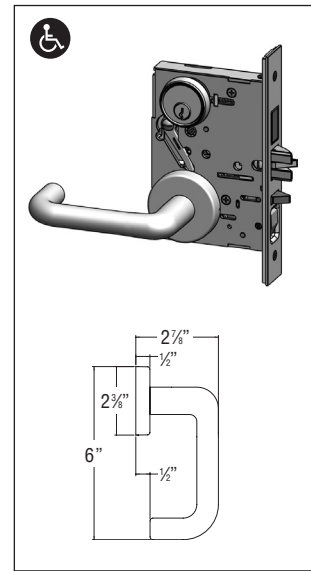
PHILADELPHIA (PJSJ)



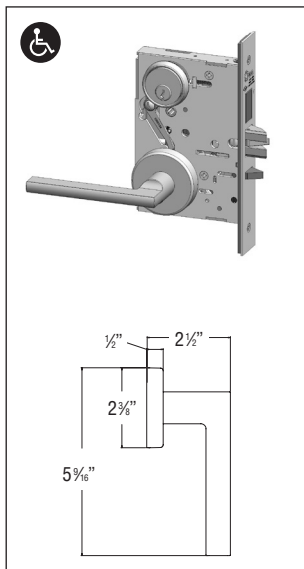
CHICAGO (CJSJ)



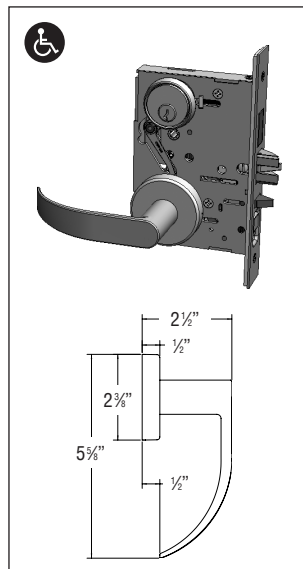
**MEMPHIS (TJSJ)
(SPECIFY HANDING)**



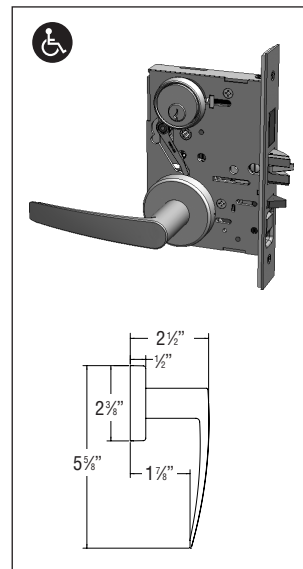
DALLAS (DJSJ)



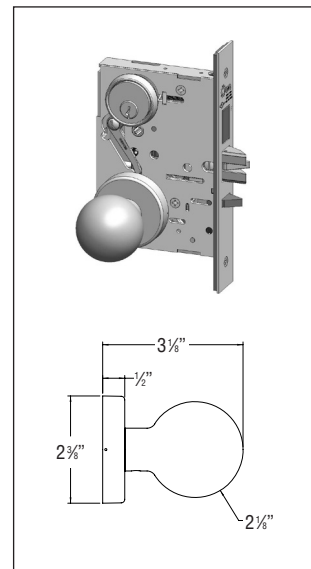
ORLANDO (OJSJ)



BOSTON (BJSJ)



MIAMI (MJSJ)

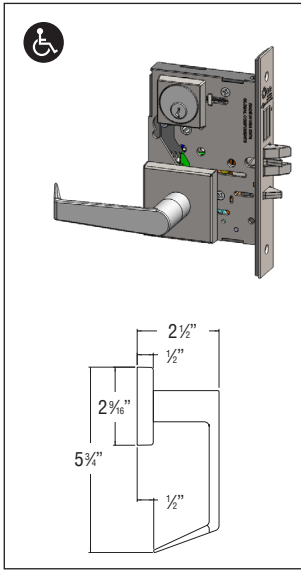


Ball Knob (KJSJ)

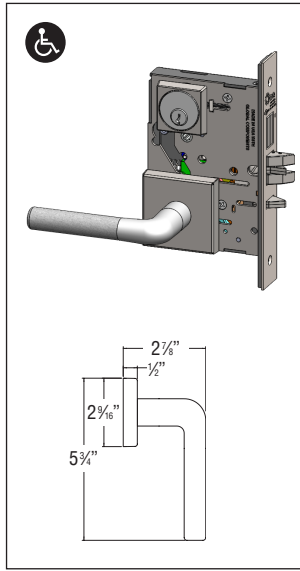
 Denotes Compliance with ADA Guidelines

J SERIES

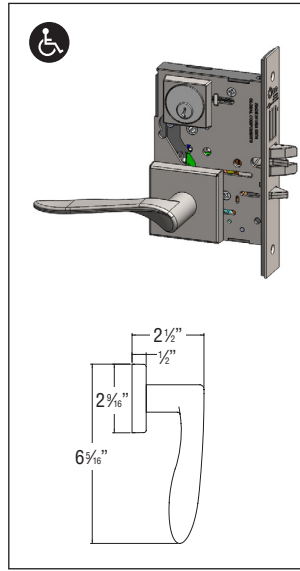
SECTIONAL TRIM WITH SQUARE ROSE



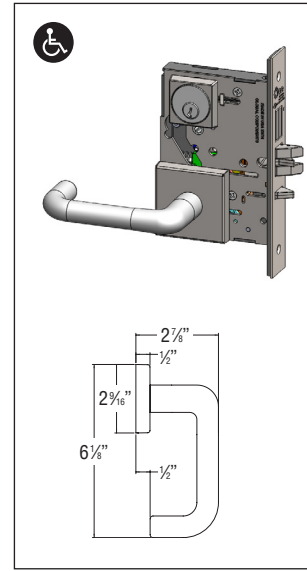
PHILADELPHIA (PJSR)



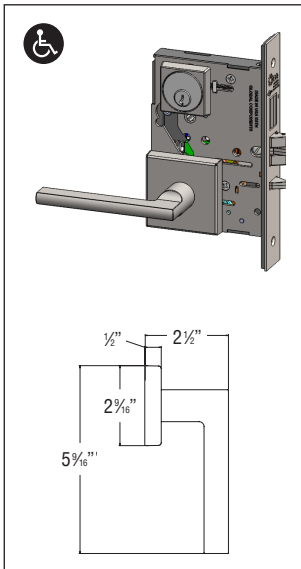
CHICAGO (CJSR)



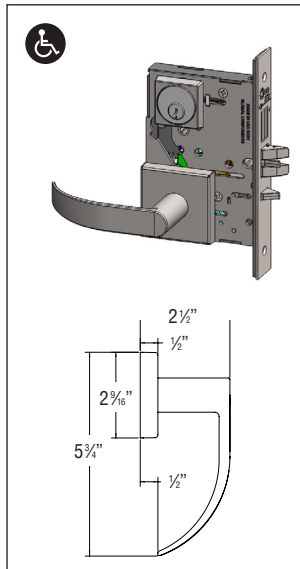
**MEMPHIS (TJSR)
(SPECIFY HANDING)**



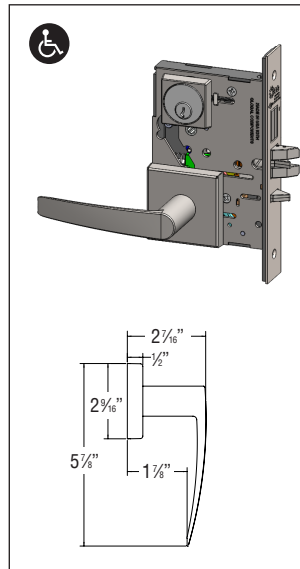
DALLAS (DJSR)



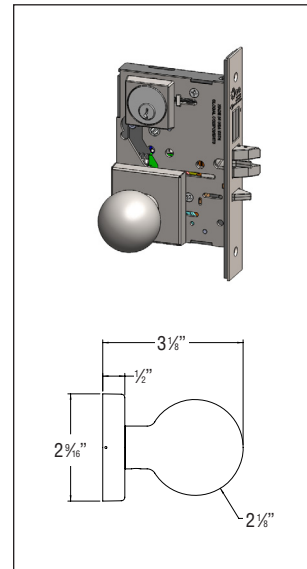
ORLANDO (OJSR)



BOSTON (BJSR)



MIAMI (MJSR)

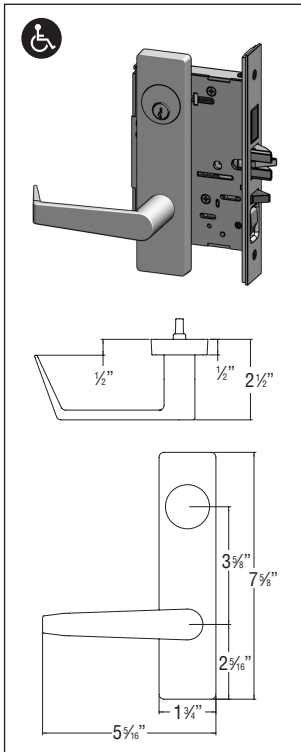


Ball Knob (KJSR)

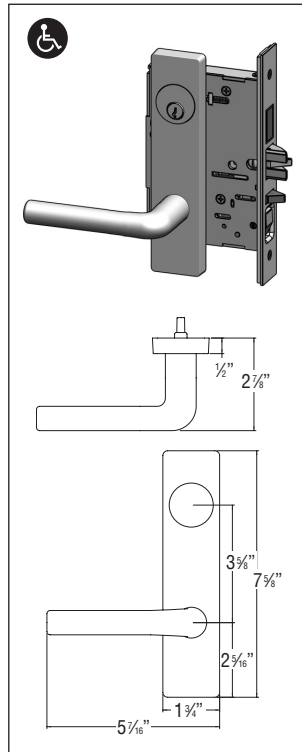
 Denotes Compliance with ADA Guidelines

J SERIES

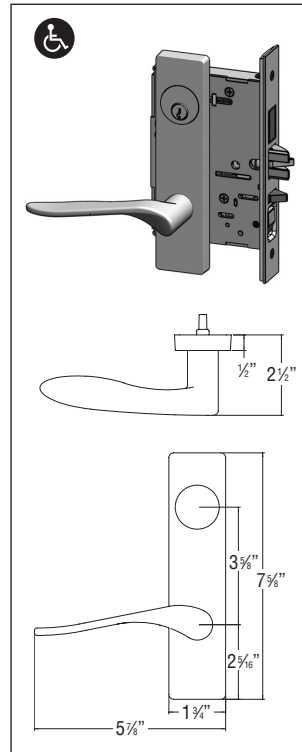
ESCUTCHEON TRIM



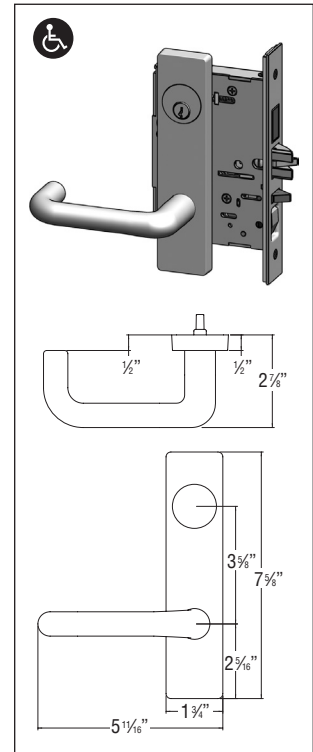
PHILADELPHIA (PJEJ)



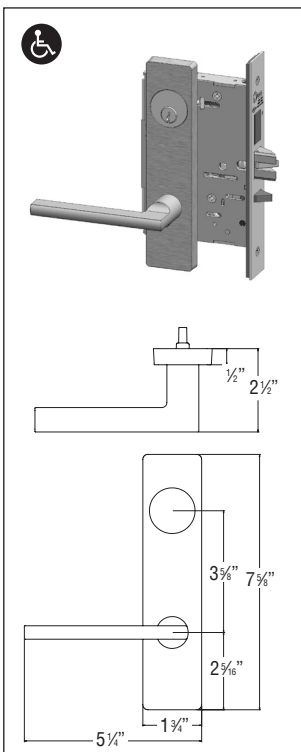
CHICAGO (CJEJ)



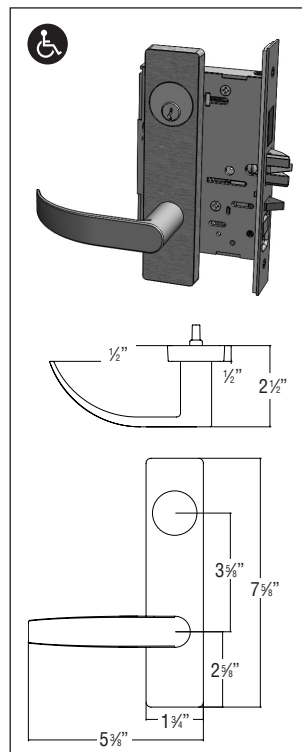
**MEMPHIS (TJEJ)
(SPECIFY HANDING)**



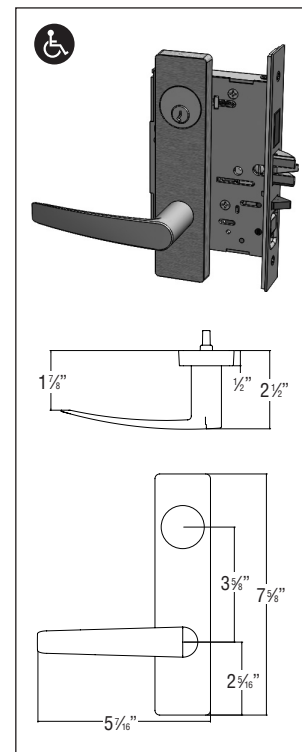
DALLAS (DJEJ)



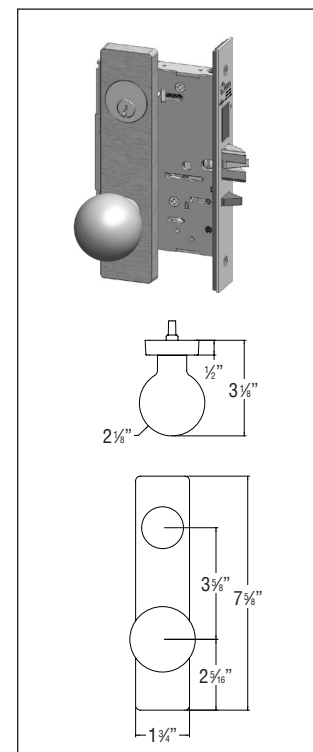
ORLANDO (OJEJ)



BOSTON (BJEJ)



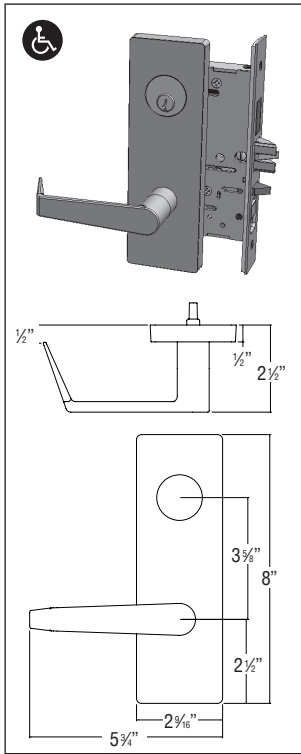
MIAMI (MJEJ)



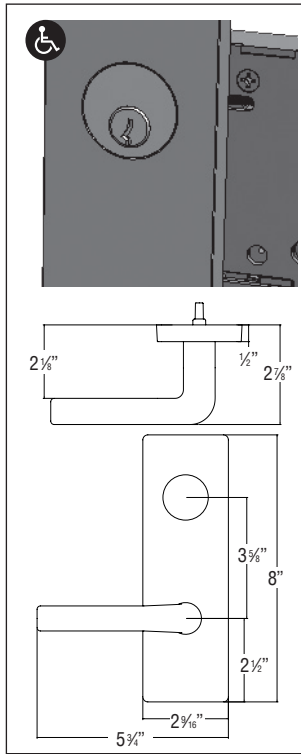
BALL KNOB (KJEJ)

J SERIES

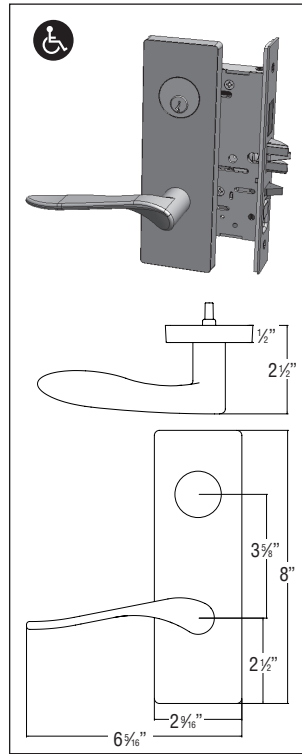
WIDE ESCUTCHEON TRIM



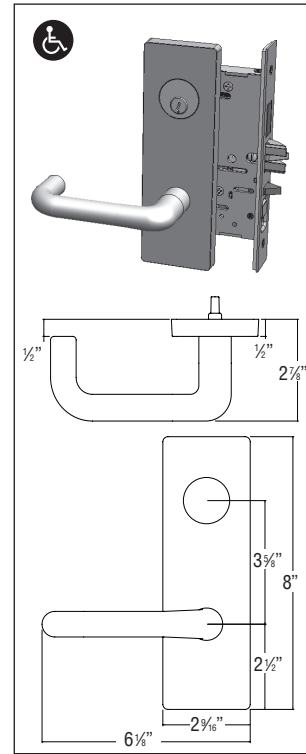
PHILADELPHIA (PJEV)



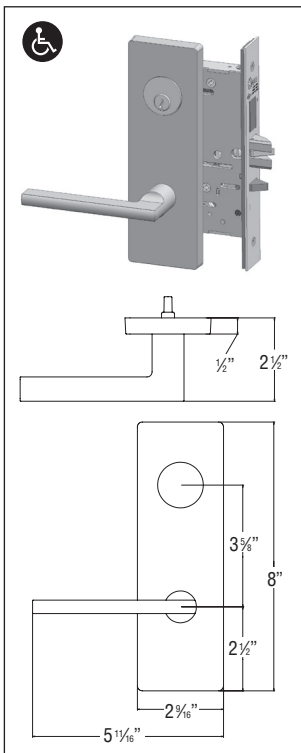
CHICAGO (CJEV)



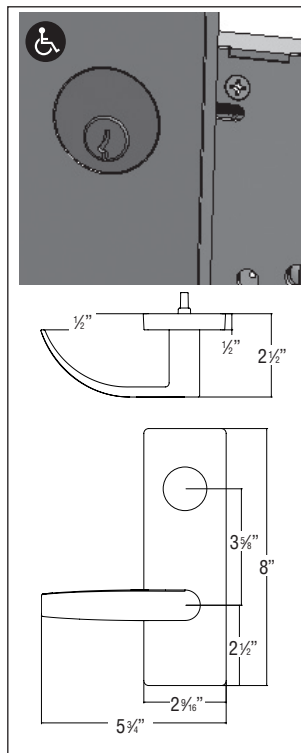
**MEMPHIS (TJEV)
(SPECIFY HANDING)**



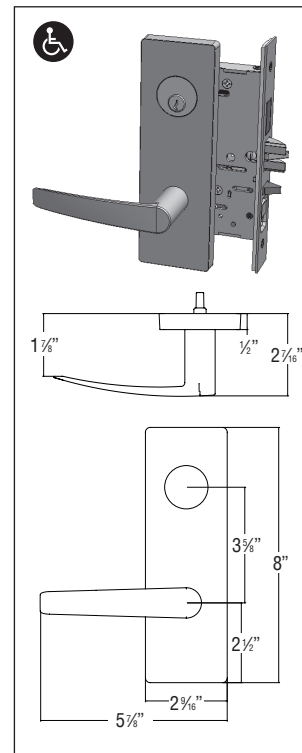
DALLAS (DJEV)



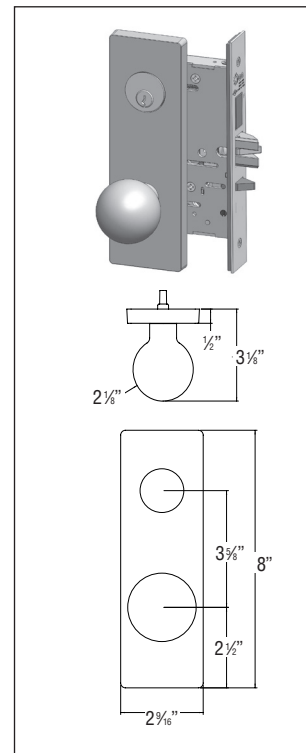
ORLANDO (OJEV)



BOSTON (BJEV)



MIAMI (MJEV)



BALL KNOB (KJEV)

 Denotes Compliance with ADA Guidelines

HOW TO ORDER J SERIES MORTISE LOCKS

| SERIES | FUNCTION | LEVER | TRIM | FINISH | HANDING ¹ | DOOR THICKNESS | CYLINDER | KEYWAY OR HOUSING | KEYING | OPTIONS |
|---|----------|--|--|--|--|--|---|---|--------|---------|
| MR | 136 | PJ | EJ | 626 | RH | 134 | D | SCC | KD | — |
| NOTES: 1 - Specify handing for all functions 2 - PDQ Electrified Function 199A = PDQ Function MR115 Storerroom (ANSI F07) + Motorized Fail Secure/Fail Safe, Single Cylinder 3 - PDQ Electrified Function 200 = PDQ Function MR138 Institutional (ANSI F30) + Motorized Fail Secure/Fail Safe, Double Cylinder 4 - Factory Default: Fail Secure 5 - For Split Finishes, Contact PDQ Customer Service 6 - Compatible with all F, J and JW Series trim, any Sectional or Escutcheon. | | J-TRIM PJ — PHL BJ — BSN MJ — MIA CJ — CHI DJ — DAL HJ — HOU LJ — LA TJ — MEM OJ — ORL KJ — K | J-TRIM EJ — Standard Escutcheon EW — Wide Escutcheon SJ — Sectional Round Rose SR — Sectional Square Rose | 605 606 612 613 622 626 629 630 | RH — Right Hand (Default) RHR — Right Hand Reverse LH — Left Hand LHR — Left Hand Reverse | 134 — 1-3/4" 214 — 2-1/4" | D — Conventional Mortise Cylinder (Default) L — Less Cylinder SF6 — SFIC prepped w/ 6 pin core SF7 — SFIC prepped w/ 7 pin core LF6 — Schlage LFIC prepped w/ Schlage core SFL — SFIC prepped but less core LFL — Schlage LFIC prepped but less core | REX — Request to Exit (Functions 199A and 200only). AM — Antimicrobial Coating. LL — Lead Wrapped Case. ADA — Disability Turn. Additional options available | | |

KEYWAYS

| CONVENTIONAL CYLINDER | | SMALL FORMAT INTERCHANGEABLE CORE | | LARGE FORMAT INTERCHANGEABLE CORE | |
|-----------------------|-----------------------|--|---|-----------------------------------|-----------------------|
| KEYWAY | PDQ KEYWAY DESIGNATOR | KEYWAY (BEST COMPATIBLE) | PDQ KEYWAY DESIGNATOR | KEYWAY (SCHLAGE COMPATIBLE) | PDQ KEYWAY DESIGNATOR |
| Schlage C (Default) | SCC | BEST A (Default), B, C, D, E, F, G, H, J, K, L, M, Q, R, WA, WB, WG, WH, TB, TD, TE, R | A (Default), B, C, D, E, F, G, H, J, K, L, M, Q, R, WA, WB, WG, WH, TB, TD, TE, R | Schlage C (Default) | SCC |
| PDQ Restricted | TA | | | PDQ Restricted | TA |
| Arrow AR1 | AR1 | | | PDQ Exclusive | PDQ1 |
| Corbin 59A1 | CO59A1 | | | PDQ Exclusive and Restricted | PDQ2 |
| Corbin 60 | CO6 | | | | PDQ3 |
| Corbin L4 | CL4 | | | | |
| Russwin D1 | RUD | | | | |
| Russwin 981 | RUD981 | | | | |
| Schlage E | SCE | | | | |
| Schlage C | SCC | | | | |
| Schlage C-K | SCC-K | | | | |
| Sargent LA | SAL | | | | |
| Sargent RA-RC | RA-RC | | | | |
| Yale E1R | YA8 | | | | |
| Yale GA | GA | | | | |
| Falcon E-R | FAL | | | | |
| Kwikset | KW | | | | |

KEYING

| DESCRIPTION | PDQ KEYING DESIGNATOR |
|---------------------------|-----------------------|
| Keyed Different (Default) | KD |
| Keyed Alike | KA |
| "0" Zero Bitted | KO |
| Master Keyed | MK |
| Construction Master Keyed | CMK |
| Grand Master Keyed | GMK |



ELECTRONIC ACCESS CONTROL



ELECTRIFIED MORTISE LOCKS

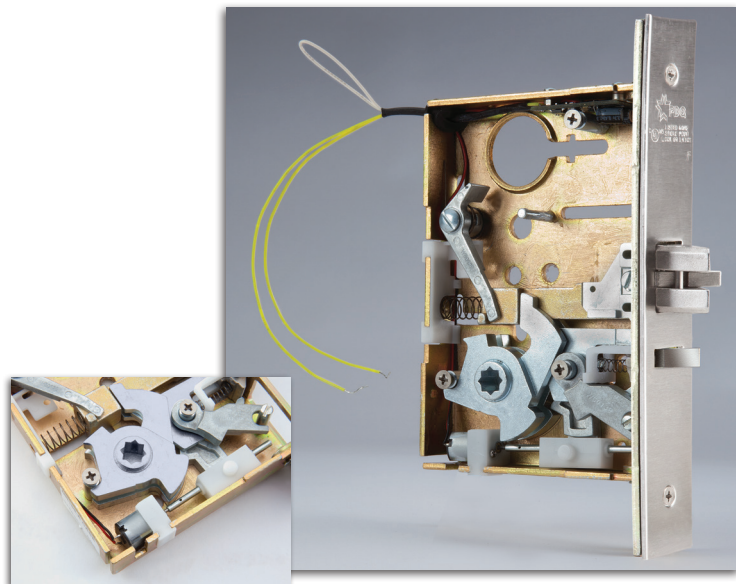
- Motorized locking/unlocking.
 - FAIL SECURE** (Factory Default)– Outside trim is UNLOCKED when power is ON, and LOCKED when power is OFF. Lockset will lock in the event of a power failure.
 - FAIL SAFE** – Outside trim is LOCKED when power is ON, and UNLOCKED when power is OFF. Lockset will unlock in the event of a power failure.
- Field changeable from FAIL SECURE to FAIL SAFE.
- Built around PDQ's world class MR series mortise lock chassis platform.
- Designed for AC or DC input voltage. No need to select voltage when specifying or ordering.
- Meets requirements of the Buy American Act.
- SMARTSENSE™ control board automatically accepts AC or DC input voltage.

PERFORMANCE

- Motor drive factory tested to over 1.4 million cycles (1.4 times the ANSI/BHMA grade 1 std).

RECOMMENDED POWER SUPPLY

- PDQ Model # 81440.
 - Input: 120VAC, .9A, 50/60Hz 240VAC, .6A, 50/60Hz
 - Output: 24VDC, 2A, filtered and regulated.
- Rated for simultaneous operation of 2ea mortise lock assemblies.
- Power Supply Requirements:
 - AC/DC Output Voltage – 1A min (filtered and regulated).
- 12-24VDC @ < 1A initial surge (1 sec), 5mA standby after 30 sec.
 - AC Output Voltage.
- 12-24VAC (60Hz) @ < 1A initial surge (1 sec), 15mA standby after 30 sec



Innovative motor drive controls FAIL SECURE or FAIL SAFE locking mode.


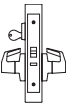




ELECTRICAL SPECIFICATIONS

- Note: Operating voltage at ± 10% of rated voltage.
- Input voltage: 12-24VDC or 12-24VAC.
 - Max In-rush current: < 1.0A.
 - Standby current:
 - 12VAC: 12mA.
 - 24VAC: 10mA.
 - 12VDC: 3mA.
 - 24VDC: 5mA.

CERTIFICATIONS, COMPLIANCES, LISTINGS

- ANSI/UL10C and CAN/ULC-5104 Listed for “Fire Exit Hardware” up to 3 hours for 4’0” x 8’0” maximum single.
- Assembled in the U.S.A. with U.S. and foreign material. Meets requirements of the Buy American Act.

PDQ FUNCTIONS – KEYED AND ELECTRIFIED

| FUNCTION | FUNCTION NUMBER | OUTSIDE INSIDE | DESCRIPTION | ANSI NUMBER |
|---------------------------|---|---|---|-------------|
| Electrified Storeroom |  MR199A |  | <ul style="list-style-type: none"> • Key outside retracts latchbolt • Latchbolt operated by lever from inside • Auxiliary latch deadlocks latchbolt • Fail safe – latchbolt operated by lever from outside unless electrically locked • Fail secure – latchbolt operated by lever from outside when electrically unlocked • Motor drive locking/unlocking • Not field reversible • Specify handing  Available with option LM - Latch Bolt Monitor | — |
| Electrified Institutional |  MR200 |  | <ul style="list-style-type: none"> • Key outside retracts latchbolt • Key inside retracts latchbolt • Auxiliary latch deadlocks latchbolt • Fail safe – latchbolt operated by either lever when electrically locked • Fail secure – latchbolt operated by either lever when electrically unlocked • Motor drive locking/unlocking  Available with option LM - Latch Bolt Monitor | — |



ELECTRONIC ACCESS CONTROL

REQUEST FOR EXIT, OPTION: REX

- CURRENT
 - 3.0A @ 125VAC
 - 2.0A @ 30VDC
- Available in F and J Series, Functions MR 199A and MR 200 only.

LATCH BOLT MONITORING, OPTION: LM

- CURRENT
 - 3.0A @ 125VAC
 - 2.0A @ 30VDC
- Available with functions MR113, MR115, MR116, MR126, MR138, MR148, MR199A, MR200

85003 ELECTRIC STRIKE

- Designed for use with all PDQ MR Series Mortise Locks Without Deadbolt.

FEATURES

- Input voltage: 12-24 VDC
- Field changeable from FAIL SECURE to FAIL SAFE
- Factory tested to 1,000,000 cycles

CURRENT

- 0.28A @ 12VDC
- 0.14A @ 24 VDC

FINISH

- 630 (US32D) Finish

It is strongly recommended that you consult a licensed electrician to determine wire size based upon your wire runs to prevent voltage drop. All wiring must meet local codes



MINIMUM WIRE GAGE CHART (AWG) FOR 24V AC/DC

| AMPS | 25 FEET | 50 FEET | 75 FEET | 100 FEET | 150 FEET | 200 FEET | 250 FEET | 300 FEET |
|-----------|---------|---------|---------|----------|----------|----------|----------|----------|
| 0.25 AMPS | 18 GAGE | 18 GAGE | 18 GAGE | 18 GAGE | 18 GAGE | 18 GAGE | 18 GAGE | 18 GAGE |
| 0.50 AMPS | 18 GAGE | 18 GAGE | 18 GAGE | 18 GAGE | 18 GAGE | 18 GAGE | 18 GAGE | 16 GAGE |
| 0.75 AMPS | 18 GAGE | 18 GAGE | 18 GAGE | 18 GAGE | 18 GAGE | 16 GAGE | 16 GAGE | 14 GAGE |
| 1.00 AMPS | 18 GAGE | 18 GAGE | 18 GAGE | 18 GAGE | 16 GAGE | 16 GAGE | 14 GAGE | 14 GAGE |
| 1.50 AMPS | 18 GAGE | 18 GAGE | 18 GAGE | 16 GAGE | 16 GAGE | 14 GAGE | — | — |
| 2.00 AMPS | 18 GAGE | 18 GAGE | 16 GAGE | 16 GAGE | 14 GAGE | — | — | — |
| 2.50 AMPS | 18 GAGE | 18 GAGE | 16 GAGE | 14 GAGE | — | — | — | — |
| 3.00 AMPS | 18 GAGE | 18 GAGE | 14 GAGE | 14 GAGE | — | — | — | — |

Distance In Feet For 2 conductor wire from Power Source To Locking Device

ELECTRONIC ACCESS CONTROL



81440 SERIES POWER SUPPLY

- Rated for simultaneous operation of 2ea Functions MR199A or MR200 Fail Secure/Fail Safe Mortise Lock assemblies.

FEATURES

- UL 294 Listed
- Filtered and Regulated 24 VDC OUTPUT for multiple devices, 2.0A maximum load
- Locking device outputs are isolated from control switch
- Continuous 24 VDC output for devices such as keypads, motion detectors or door status indicators
- Multiple power input options
- Class 2 rated outputs

INPUT

- 120 VAC*, 0.9A, 50/60Hz
- 240 VAC*, 0.6A, 50/60Hz
- Automatic input voltage detection

OUTPUT

- Switched** 24 VDC, 2.0A* filtered and regulated
- Continuous 24 VDC, 2.0A* filtered and regulated

* - 24 VDC, 2.0A maximum across all outputs

** - Isolated from continuous terminal block and surge suppressed

PROTECTION

- Overload
- Over voltage
- Short Circuit

ENCLOSURE DIMENSIONS

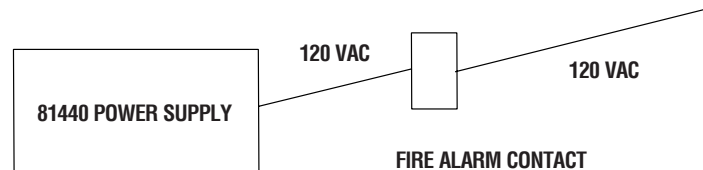
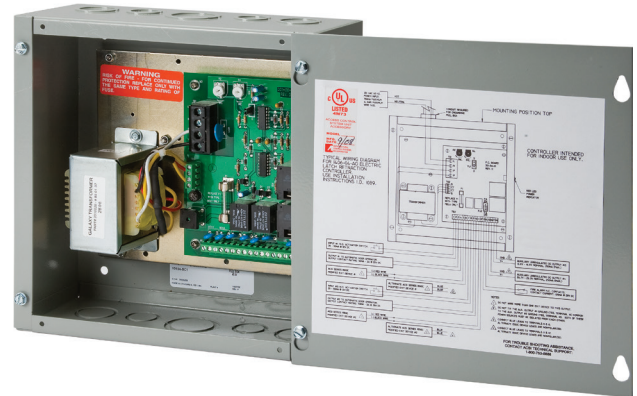
- 10" x 10" x 4"

ENCLOSURE TYPE

- NEMA 1 screw cover junction box, interior mounting only

ENCLOSURE WEIGHT

- 8.5 lbs





Note: For Fire Labeled Openings, Requires Separate Fire Control Relay.



ELECTRONIC ACCESS CONTROL

ELECTRIFIED HINGES

| | FEATURES | OPTION DESIGNATOR | DESCRIPTION |
|---|--|--|---|
|  | <p>UL Fire LISTED</p> <p>Listed for use with electrified mortise or cylindrical locks, exit devices with electric latch retraction, electric strikes, locks or exit devices with monitoring or request to exit switches</p> <p>Electrical Specifications</p> <p>Concealed electric through-wire: 50 volts AC/DC @ 3.5 amps continuous, 16 amps pulse (maximum pulse width: 400msec., 10 sec minimum off time between pulses)</p> <p>Concealed electric monitor: 30 VDC @ .5 amps</p> | EL 2 | Concealed electric through-wire (2 wires, 22GA) |
| | | EL 4 | Concealed electric through-wire (4 wires, 28GA) |
| EL 10 | | Concealed electric through-wire (10 wires, 28GA) | |
| EL 24 | | Concealed electric through-wire (2 wires @ 22GA, 4 wires @ 28GA) | |
|  | | ELM 3 | Concealed electric monitor (3 wires, 28GA) |
| | | ELM 4 | Concealed electric through-wire and monitor (4 through wires and 3 monitor wires, all 28GA) |
| | | ELM 6 | Concealed electric through-wire and monitor (6 through wires and 3 monitor wires, all 28GA) |
| | | ELM 8 | Concealed electric through-wire and monitor (8 through wires and 3 monitor wires, all 28GA) |

HOW TO ORDER

| ELECTRIFIED OPTIONS ¹ | SERIES | | STYLE | | FINISH | |
|--|------------------------------------|----|--|------|--|-----|
| EL 2 – Concealed electric through-wire (2 wire, 22 ga) EL 4 – Concealed electric through-wire (4 wire, 28 ga) EL 10 – Concealed electric through-wire (10 wire, 28 ga) EL 24 – Concealed electric through-wire (2 wires @ 22 ga, 4 wires @ 28ga) ELM 3 – Concealed electric monitor (3 wire, 28 ga) ELM 4 – Concealed electric through-wire and monitor (4 through wires and 3 monitor wires, all 28GA) ELM 6 – Concealed electric through-wire and monitor (6 through wires and 3 monitor wires, all 28GA) ³ ELM 8 – Concealed electric through-wire and monitor (8 through wires and 3 monitor wires, all 28GA) ³ | 35 – FULL MORTISE | | BB – 2 Ball Bearing HB – 4 Ball Bearing | | 600 (P) — Prime Coated 605 (3) — Bright Brass 613 (10B) — Oil Rubbed Bronze 626 (26D) — Satin Chrome 630 (32D) — Satin Stainless Steel | |
| | 35 | SS | BB | 4545 | 630 | NRP |
| | ST – Steel SS – Stainless Steel | | 4040 – 4" X 4" 4540 – 4-1/2" X 4" 4545 – 4-1/2" X 4-1/2" 5045 – 5" x 4-1/2" | | NRP – Non Removable Pin | |
| | MATERIAL | | SIZE | | SECURITY FEATURE² | |

Ordering example: 4 Wire Std Weight Hinge: EL 4 35 SS BB 4545 630 NRP

Notes: 1- EL Series only available in 2 and 4 ball bearing. Includes NRP. 2 - NRP only available in 2 and 4 ball bearing. 3 - Not available in 4 ball bearing heavy weight hinges.



ELECTRONIC ACCESS CONTROL

81310 SERIES KEY SWITCHES

NARROW FRAME MOUNT

FEATURES:

- Includes #6-32 x 1/2" FHMS TR Torx Tamper Resistant Security Faceplate Screws.
- 1-3/4" frame mount
- Mortise cylinder not included (See table below)
- Anti-rotation cylinder security

FACEPLATE:

- 630 (32D) Satin Stainless Steel faceplate
- Dimensions: 1-3/4"W x 4-1/2"H

ELECTRICAL RATINGS:

- DPDT contact configuration
- Switch Contacts: 4A @ 30VDC



81310-4MT - MOMENTARY
81310-4MM - MAINTAINED

SINGLE GANG WALL MOUNT

FEATURES:

- Includes #6-32 x 1/2" FHMS TR Torx Tamper Resistant Security Faceplate Screws.
- 2 indicators, 1-red and 1-green
- Mortise cylinder not included (See table below)
- Anti-rotation cylinder security

FACEPLATE:

- 630 (32D) Satin Stainless Steel faceplate
- Dimensions: 2-3/4"W x 4-1/2"H

ELECTRICAL RATINGS:

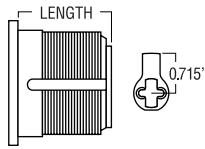
- DPDT contact configuration
- Switch Contacts: 4A @ 30VDC
- LED Red and Green indicators: 24 VDC



81310-2MT - MOMENTARY
81310-2MM - MAINTAINED



MORTISE CYLINDER



LENGTH INCLUDES CAM

CYLINDER REFERENCE GUIDE

| TYPE | LENGTH | PDQ CAM NUMBER |
|---------------------|--------|----------------|
| Conventional | 1-1/4" | I127-4204 |
| SFIC Housing, 6 Pin | 1-1/4" | I54031 |
| SFIC Housing, 7 Pin | 1-3/8" | I54031 |
| LFIC Housing | 1-1/2" | I54231 |

KEYWAYS

| CONVENTIONAL CYLINDER | | SMALL FORMAT INTERCHANGEABLE CORE | | LARGE FORMAT INTERCHANGEABLE CORE | | | |
|-----------------------|-----------------------|--|---|-----------------------------------|-----------------------|--|--|
| KEYWAY | PDQ KEYWAY DESIGNATOR | KEYWAY (BEST COMPATIBLE) | PDQ KEYWAY DESIGNATOR | KEYWAY (SCHLAGE COMPATIBLE) | PDQ KEYWAY DESIGNATOR | | |
| Schlage C (Default) | SCC | BEST A (Default), B, C, D, E, F, G, H, J, K, L, M, Q, R, WA, WB, WG, WH, TB, TD, TE, R | A (Default), B, C, D, E, F, G, H, J, K, L, M, Q, R, WA, WB, WG, WH, TB, TD, TE, R | Schlage C (Default) | SCC | | |
| PDQ Restricted | TA | | | PDQ Restricted | TA | | |
| Arrow AR1 | AR1 | | | PDQ Exclusive | PDQ1 | | |
| Corbin 59A1 | C059A1 | | | | PDQ2 | | |
| Corbin 60 | C06 | | | PDQ Exclusive and Restricted | PDQ3 | | |
| Corbin L4 | CL4 | | | | | | |
| Russwin D1 | RUD | | | | | | |
| Russwin 981 | RUD981 | | | | | | |
| Schlage E | SCE | | | | | | |
| Schlage C | SCC | | | | | | |
| Schlage C-K | SCC-K | | | | | | |
| Sargent LA | SAL | | | | | | |
| Sargent RA-RC | RA-RC | | | | | | |
| Yale E1R | YA8 | | | | | | |
| Yale GA | GA | | | | | | |
| Falcon E-R | FAL | | | | | | |
| Kwikset | KW | | | | | | |

KEYING

| DESCRIPTION | PDQ KEYING DESIGNATOR |
|---------------------------|-----------------------|
| Keyed Different (Default) | KD |
| Keyed Alike | KA |
| "0" Zero Bitted | KO |
| Master Keyed | MK |
| Construction Master Keyed | CMK |
| Grand Master Keyed | GMK |

CYLINDERS/CORES/KEYWAYS

PDQ cylinders and cores are designed to interface with the keyways of most major lock manufacturers. Insert cylinders are designed to accept 6 pins and are combined for 5 pins. These cylinders are shipped with two keys. Interchangeable core cylinders are available combined or uncombined for 6 and 7 pins and must be specified when ordering. Conventional mortise cylinders available in six architectural finishes—605 (US3) Bright Brass, 606 (US4) Satin Brass, 612 (US10) Satin Bronze, 613 (US10B) Oil Rubbed Bronze, 625 (US26) Bright Chrome and 626 (US26D) Satin Chrome. Specify finish when ordering separately.



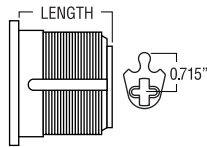
Small Format Interchangeable Core.



Large Format Interchangeable Core






MORTISE CYLINDER



LENGTH INCLUDES CAM

CORES


| DESCRIPTION | PINS | FINISHES | |
|--|-------|------------|------------|
| | | 606 | 626 |
|  Small Format, Best® Compatible - Uncombined | 6 Pin | I5206 -8 | I5206 -7 |
| | 7 Pin | I5207-8 | I5207-7 |
|  Small Format, Best® Compatible - Combined | 6 Pin | I5206-1-8 | I5206-1 -7 |
| | 7 Pin | I5207-1-8 | I5207-1 -7 |
|  Large Format, Schlage® Compatible - Uncombined | 6 Pin | I5206-816 | I5206-716 |
| | 6 Pin | I5206-8116 | I5206-7116 |

NOTE: Part Numbers Listed For Default Keyway. For Other Keyways, See table below.

CYLINDER REFERENCE GUIDE


| TYPE | LENGTH | PDQ CAM NUMBER |
|---------------------|--------|----------------|
| Conventional | 1-1/4" | I127-4201 |
| SFIC Housing, 6 Pin | 1-1/4" | I54061 |
| SFIC Housing, 7 Pin | 1-3/8" | I54061 |
| LFIC Housing | 1-1/2" | I54261 |

HIGH SECURITY CYLINDERS

| DESCRIPTION | PINS | FINISHES | | |
|---|-------|----------|----------|----------|
| | | 605 | 613 | 626 |
|  Mortise Cylinder 1 1/4" | 6 Pin | HSC030-5 | HSC030-6 | HSC030-7 |
| | 6 Pin | HSC050-5 | HSC050-6 | HSC050-7 |
| UL 437 Mortise Cylinder 1-1/4" | 6 Pin | HSC330-5 | HSC330-6 | HSC330-7 |

NOTE: Part Numbers Listed For Default Keyway. For Other Keyways, See table below.

HIGH SECURITY CORES

| DESCRIPTION | PINS | FINISHES | |
|--|-------|----------|----------|
| | | 606 | 626 |
|  Small Format, Best® Compatible - Combined | 6 Pin | HSC806-8 | HSC806-7 |
| | 7 Pin | HSC807-8 | HSC807-7 |
| Large Format, Schlage® Compatible - Combined | 6 Pin | HSC906-8 | HSC906-7 |

NOTE: Part Numbers Listed For Default Keyway. For Other Keyways, See table below.

KEYWAYS

| CONVENTIONAL CYLINDER | | SMALL FORMAT INTERCHANGEABLE CORE | | LARGE FORMAT INTERCHANGEABLE CORE | | | |
|-----------------------|-----------------------|--|---|-----------------------------------|-----------------------|--|--|
| KEYWAY | PDQ KEYWAY DESIGNATOR | KEYWAY (BEST COMPATIBLE) | PDQ KEYWAY DESIGNATOR | KEYWAY (SCHLAGE COMPATIBLE) | PDQ KEYWAY DESIGNATOR | | |
| Schlage C (Default) | SCC | BEST A (Default), B, C, D, E, F, G, H, J, K, L, M, Q, R, WA, WB, WG, WH, TB, TD, TE, R | A (Default), B, C, D, E, F, G, H, J, K, L, M, Q, R, WA, WB, WG, WH, TB, TD, TE, R | Schlage C (Default) | SCC | | |
| | | | | PDQ Restricted | TA | | |
| PDQ Restricted | TA | | | | | | |
| Arrow AR1 | AR1 | | | | | | |
| Corbin 59A1 | CO59A1 | | | | | | |
| Corbin 60 | CO6 | | | | | | |
| Corbin L4 | CL4 | | | | | | |
| Russwin D1 | RUD | | | | PDQ1 | | |
| Russwin 981 | RUD981 | | | PDQ Exclusive | PDQ2 | | |
| Schlage E | SCE | | | PDQ Exclusive and Restricted | PDQ3 | | |
| Schlage C | SCC | | | | | | |
| Schlage C-K | SCC-K | | | | | | |
| Sargent LA | SAL | | | | | | |
| Sargent RA-RC | RA-RC | | | | | | |
| Yale E1R | YA8 | | | | | | |
| Yale GA | GA | | | | | | |
| Falcon E-R | FAL | | | | | | |
| Kwikset | KW | | | | | | |

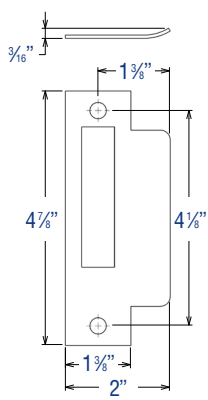
KEYING

| DESCRIPTION | PDQ KEYING DESIGNATOR |
|---------------------------|-----------------------|
| Keyed Different (Default) | KD |
| Keyed Alike | KA |
| "0" Zero Bitted | KO |
| Master Keyed | MK |
| Construction Master Keyed | CMK |
| Grand Master Keyed | GMK |

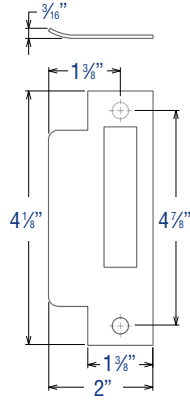
SERIES

| DESCRIPTION | FINISHES | | | | | | |
|--|----------|---------|---------|---------|---------|---------|---------|
| | 605 | 606 | 612 | 613 | 625 | 626 | 630 |
| 1-1/4" x 4-7/8" ANSI/ASA Curved Lip (LH/RHR) | W51241- | W51241- | W51241- | W51241- | W51241- | W51241- | W51241- |
| 1-1/4" x 4-7/8" ANSI/ASA Curved Lip (RH/LHR) | W51242- | W51242- | W51242- | W51242- | W51242- | W51242- | W51242- |
| Extended Straight Lip | W51002- | W51002- | W51002- | W51002- | W51002- | W51002- | W51002- |

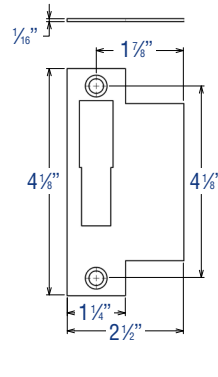
Ordering example: RH Strike, Stainless Steel finish: W51242 630



ANSI/ASA Curved Lip Strike
RH/LHR
W51242 + Finish



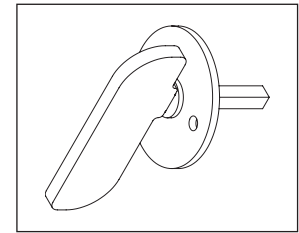
ANSI/ASA Curved Lip Strike
LH/RHR
W51241 + Finish



Extended Lip Strike
W51002 + Finish

OPTIONS

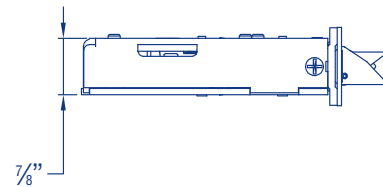
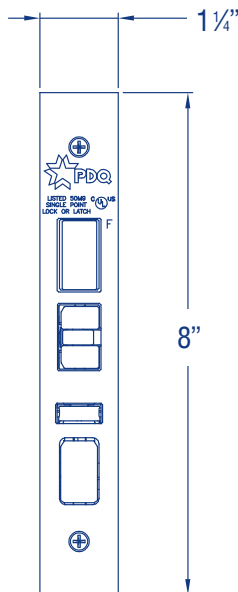
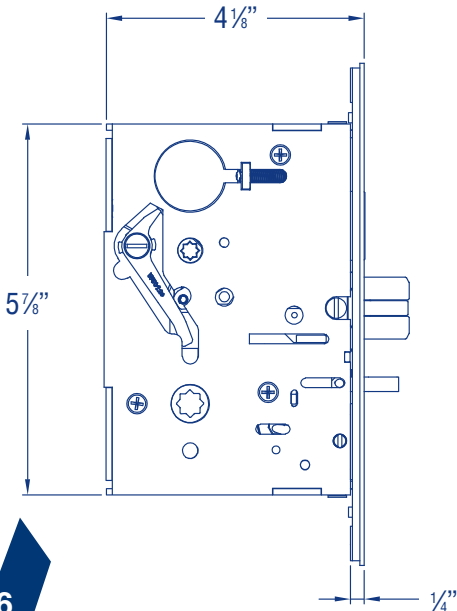
| DESCRIPTION |
|--|
| Tactile Abrasive Strip - Inside only (PFSF, PFEF, BFSF and BFEF only) |
| Tactile Abrasive Strip - Outside only (PFSF, PFEF, BFSF and BFEF only) |
| Tactile Abrasive Strip - Both Sides (PFSF, PFEF, BFSF and BFEF only) |
| Security Head Screws |
| Lead-wrapped Case |
| Split Finishes |
| Sectional Single Sided Mounting Assembly |
| HD Spindle |
| ADA Compliant Thumbturn |



ADA Thumbturn

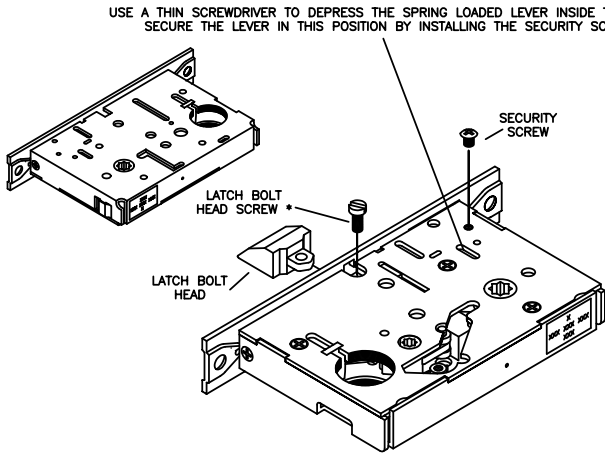
Note: Other Lip sizes available. Contact PDQ Technical Service.

CASE DIMENSIONS

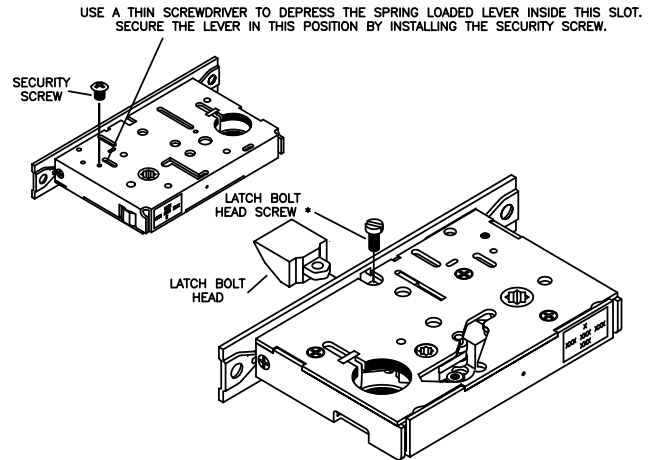


HANDING

PDQ's innovative handing design allows for quick and easy changing in the field. To switch the handing from Right Hand to Left Hand, simply unscrew the Latch Bolt screw and remove the Latch Bolt head. Rotate the Latch Bolt head 180 degrees and reinsert back into the chassis. Insert and tighten the Latch Bolt Screw. We recommend applying Loctite #242 or equivalent to the threads when re-assembling the latch Bolt Screw.



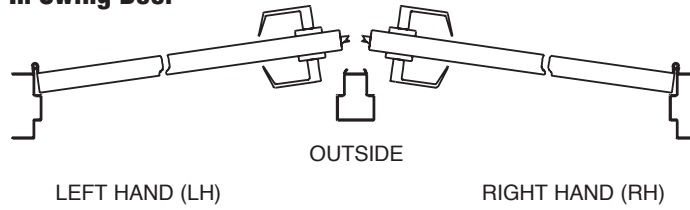
LEFT HAND (LH)



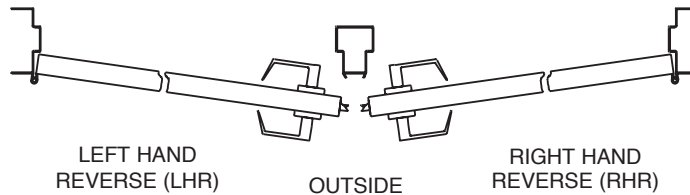
RIGHT HAND (RH)

Shown above is PDQ's Function MR115. For other functions, always consult the Handing Instructions @ www.pdqlocks.com. PDQ Functions MR113, MR114, MR134, MR178, MR186, MR199, MR199A are NOT field reversible. For these functions, specify handing when ordering from the factory.

In Swing Door



Out Swing Door



MJ SERIES MORTISE DEADBOLTS



SHOWN WITH STANDARD THUMBTURN



SHOWN WITH OPTIONAL "ADA" COMPLIANT THUMBTURN

SPECIFICATIONS

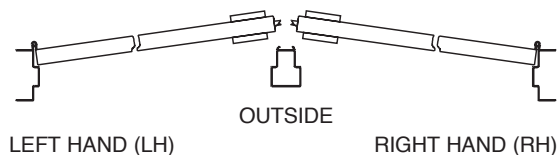
- FOR DOORS:** • 1-3/4"
- BACKSET:** • 2-3/4"
- CASE:** • Steel—Dichromated for corrosion resistance.
- FACEPLATE:** • 1-1/4" x 5-5/8"
- FRONT:** • 2-1/4" x 1" • Stainless Steel or Wrought Brass
- STRIKE:** • 1-1/8" x 3-1/2"
- DEADBOLT:** • 1" Throw • Stainless Steel
- OPTIONAL THUMBTURN:** • ADA Compliant
- HAND:** • Non-handed except for function MJ134 Classroom (See Function Table and How to Order Guide).
- KEYS:** • Two (2) per Lock
- KEYWAYS:** • SCC standard (Schlage C Compatible) • Also available in keyways of other manufacturers
- INTERCHANGEABLE CORE:** • 6 or 7-pin • Compatible with Best, Falcon & Arrow • Large Format IC Cores compatible with Schlage.
- CYLINDER:** • 6 or 7-pin Mortise Cylinder
- KEYING:** • Options: MK, CMK or GMK • Zero Bitted (KO), Keyed Different (KD) or Keyed Alike (KA) • Can be keyed into existing master key systems
- FINISHES:** • 630 (US32D) - Satin Stainless Steel
- CERTIFICATIONS, LISTINGS, COMPLIANCES:** • ANSI/UL 10C Listed, "Positive Pressure Fire Tests of Door Assemblies" for up to and including 3 hrs. • Meets requirements of the Buy American Act.
- WARRANTY:** • 10-Year Limited Warranty

CROSS REFERENCE

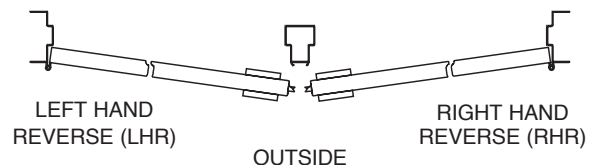
| ANSI # A156.5 (A156.13) | PDQ FUNCTION | BEST | CORBIN | DORMA | MARKS #31/32/33 SERIES | SARGENT | SCHLAGE | YALE |
|-------------------------|--------------|-------|--------|-------|------------------------|---------|---------|------|
| E06081 (F18) | MJ131 | 48H L | DL4111 | D961 | L | 4876 | L464 | 353 |
| E06071 (F17) | MJ132 | 48H K | DL4113 | D960 | K | 4875 | L460 | 352 |
| E06061 (F16) | MJ133 | 48H M | DL4112 | D962 | M | 4874 | L462 | 351 |
| E06091 (F29) | MJ134LH | 48H R | DL4117 | D963 | S | 4877 | L463 | 357 |
| | MJ134LH | | | | | | | |

HANDING

In Swing Door

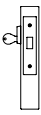






Out Swing Door



MJ SERIES MORTISE DEADBOLTS

FUNCTIONS

| FUNCTION | FUNCTION NUMBER | OUTSIDE INSIDE | DESCRIPTION | ANSI NUMBER A156.5(A156.13) |
|---|-----------------|---|--|--------------------------------|
| Single Cylinder | MJ131 |  | <ul style="list-style-type: none"> • Key outside extends/retracts deadbolt | E06081 (F18) |
| Single Cylinder with Thumbturn | MJ132 |  | <ul style="list-style-type: none"> • Key outside extends/retracts deadbolt • Thumbturn inside extends/retracts deadbolt | E06071 (F17) |
| Double Cylinder | MJ133 |  | <ul style="list-style-type: none"> • Key outside extends/retracts deadbolt • Key inside extends/retracts deadbolt | E06061 (F16) |
| Single Cylinder (Classroom) Left Hand | MJ134LH |  | <ul style="list-style-type: none"> • Key outside extends/retracts deadbolt • Inside cylinder turn retracts but does not extend deadbolt • Thumbturn rotates clockwise | E06091 (F29) |
| Single Cylinder (Classroom) Right Hand | MJ134RH |  | <ul style="list-style-type: none"> • Key outside extends/retracts deadbolt • Inside cylinder turn retracts but does not extend deadbolt • Thumbturn rotates counter-clockwise | E06091 (F29) |

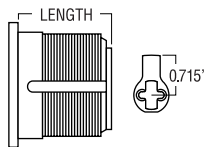
| SERIES | FINISH | CYLINDER OR HOUSING | KEYING |
|-------------------------------|--------------------------------------|---|--|
| MJ — Mortise Deadbolts | 630 — Satin Stainless Steel | D — Default L — Less Cylinder SF6 — SFIC w/Core, 6 Pin SF7 — SFIC w/Core, 7 Pin LF — Schalgel® Compatible LFIC w/Core SF6L — SFIC 6 Pin Housing less core SF7L — SFIC 7 Pin Housing, less core LFL — Schalgel® Compatible LFIC Housing less core | KD — Keyed Different (Default) Others - See Keying Table |
| MJ 131 | 630 — | D SCC | KD |
| See Function Table | ADA — ADA Compliant Thumbturn | SCC — Default Others - See Keyway Table | |
| FUNCTION NUMBER | THUMBTURN | KEYWAY | |

Ordering Example: MJ 131 630 SCC KD

CYLINDER REFERENCE GUIDE



CONVENTIONAL MORTISE CYLINDER



LENGTH INCLUDES CAM



MORTISE SFIC HOUSING



SFIC CORE



LFIC CORE

| TYPE | LENGTH | PDQ CAM NUMBER |
|---------------------|--------|----------------|
| Conventional | 1-1/4" | I127-4204 |
| SFIC Housing, 6 Pin | 1-1/4" | I54031 |
| SFIC Housing, 7 Pin | 1-3/8" | I54031 |
| LFIC Housing | 1-1/2" | I54231 |

MJ SERIES MORTISE DEADBOLTS

KEYWAYS

| CONVENTIONAL CYLINDER | | SMALL FORMAT INTERCHANGEABLE CORE | | LARGE FORMAT INTERCHANGEABLE CORE | |
|-----------------------|-----------------------|--|---|-----------------------------------|-----------------------|
| KEYWAY | PDQ KEYWAY DESIGNATOR | KEYWAY (BEST COMPATIBLE) | PDQ KEYWAY DESIGNATOR | KEYWAY (SCHLAGE COMPATIBLE) | PDQ KEYWAY DESIGNATOR |
| Schlage C (Default) | SCC | BEST A (Default), B, C, D, E, F, G, H, J, K, L, M, Q, R, WA, WB, WG, WH, TB, TD, TE, R | A (Default), B, C, D, E, F, G, H, J, K, L, M, Q, R, WA, WB, WG, WH, TB, TD, TE, R | Schlage C (Default) | SCC |
| | | | | PDQ Restricted | TA |
| PDQ Restricted | TA | | | | |
| Arrow AR1 | AR1 | | | | |
| Corbin 59A1 | CO59A1 | | | | |
| Corbin 60 | CO6 | | | | |
| Corbin L4 | CL4 | | | | |
| Russwin D1 | RUD | | | PDQ Exclusive | PDQ1 |
| Russwin 981 | RUD981 | | | | PDQ2 |
| Schlage E | SCE | | | PDQ Exclusive and Restricted | PDQ3 |
| Schlage C | SCC | | | | |
| Schlage C-K | SCC-K | | | | |
| Sargent LA | SAL | | | | |
| Sargent RA-RC | RA-RC | | | | |
| Yale E1R | YA8 | | | | |
| Yale GA | GA | | | | |
| Falcon E-R | FAL | | | | |
| Kwikset | KW | | | | |

KEYING

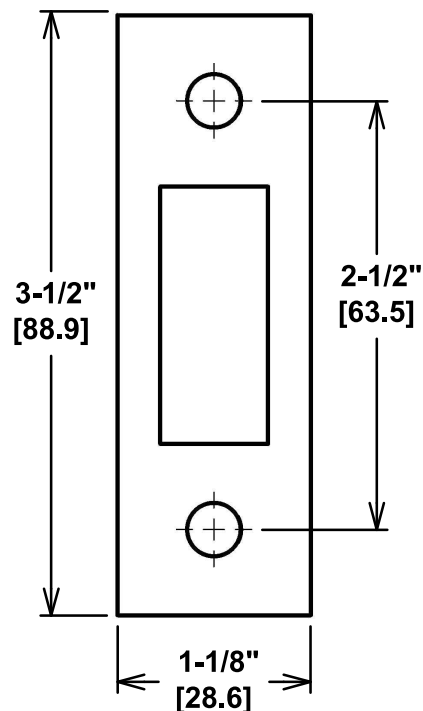
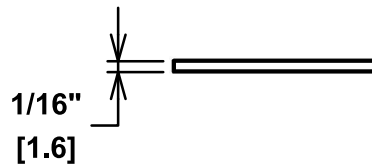
| DESCRIPTION | PDQ KEYING DESIGNATOR |
|---------------------------|-----------------------|
| Keyed Different (Default) | KD |
| Keyed Alike | KA |
| "0" Zero Bitted | KO |
| Master Keyed | MK |
| Construction Master Keyed | CMK |
| Grand Master Keyed | GMK |

FINISHES

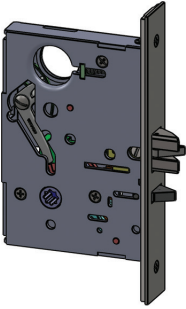


630 (US32D)
Satin Stainless Steel,
No Coating

MORTISE DEADBOLT



SUGGESTED ARCHITECTURAL SPECIFICATIONS



Shall be manufactured in the United States by PDQ Industries, Inc., Leola, Pennsylvania, USA.

Shall be certified to ANSI/BHMA A156.13 2005, Operational Grade 1 and Security Grade1.

Shall be UL/CUL 10C listed for 3 hrs, for single doors up to 4'0" x 8"0".

Shall comply with ADA (Americans with Disabilities Act) and ICC/ANSI 117.1 for Accessible and Usable Buildings.

Shall meet the requirements of the Buy American Act.

Shall conform to Federal Specification FF-H-106

Shall be Windstorm Resistant Product Listed–ANSI A250.13- 2005, ASTM E1886-02, ASTM E330-02, Outswing: 350 ft-lbs., N/R, Design Load Rating: 2453 lbf. (functions with deadbolts only).

Shall exceed 5 million duty cycles as attested by an independent third party laboratory.

Shall utilize a motor drive device for electrified fail secure/fail safe modes. Motor drive shall utilize SMARTSENSE™ input voltage technology.

Shall be offered with mechanical indicators showing “LOCKED/UNLOCKED” and “VACANT/OCCUPIED”. Red and Green shall comply with ANSI Z535.1 safety colors.

Shall be constructed with 12 gage heavy duty alloy steel case.

Shall utilize a single cam for all locking functions.

Shall be designed for ANSI/BHMA 156.116 mortise lock door prep.

Shall accommodate field reversible handing.

Deadbolt, Latchbolt and Anti-friction, Deadlatch and Stop Works shall be fabricated using stainless steel.

Armour plate shall be fabricated using stainless steel.

Shall be offered in conventional mortise cylinders, Best small format interchangeable cores and Schlage large format (full size interchangeable cores).

Shall be offered in Schalg C and Best A keyways, keyways be others.

Shall be offered in PDQ Exclusive and Restricted keyways.

Shall be offered with UL437 High Security cylinders.

Shall be offered in sectional and escutcheon trim options.

Escutcheon trim and levers shall be fabricated using stainless steel.

Shall be offered in a variety of lever designs including Boston, Chicago, Dallas, Memphis, Miami, Orlando, Philadelphia and Ball Knobs.

Shall be offered in a variety of ANSI/BHMA 156.18 finishes including 605 - Bright Brass, 606 - Satin Brass, 612 - Satin Bronze, 613 - Oil Rubbed Bronze, 625 - Bright Chrome, 625 - Satin Chrome, 629 Bright Stainless Steel and 630 - Satin Stainless Steel.

Shall be offered with a limited lifetime warranty.



SECURING
CONFIDENCE
OPENING
POSSIBILITIES

Phone: 800.441.9692

Tech Support: 833.273.7832

Email: help@pdqlocks.com

Headquarters: 2230 Embassy Drive, Lancaster, PA 17603

P.O. Box 6426, Lancaster, PA 17607

**Regional Distribution Centers: Lancaster, PA | Norcross, GA,
Kansas City, MO | Auburn, WA**

Design Office: Milan, Italy

pdqlocks.com