

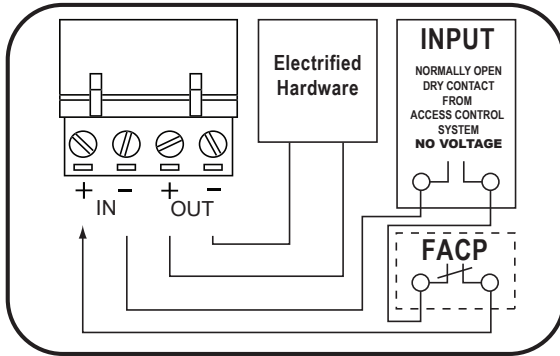
## Connecting to the Fire Alarm Link (if needed)

- 1 Shut off breaker supplying AC power to the power supply.
- 2 Wire your exit device(s) per the diagram(s).

NOTE: NO VOLTAGE ON INPUTS...DRY CONTACT ONLY

- 3 Restore power to power supply and trigger the device(s) to make sure they are working correctly.

Fig 3.2 Fire Alarm tie-in wiring diagram.



## TROUBLESHOOTING

Symptom	Possible Cause	Solution
• EL Exit device can't fully retract latch	Possibility 1- Wire gauge from power supply to exit device too small	Check with your device manufacturer's wiring specifications.
	Possibility 2- Distance from Power Supply. to exit device is too far	Check with your device manufacturer's wiring specifications.
	Possibility 3- Exit device out of adjustment	Re-adjust exit device according to manufacturer's mechanical recommendations.
• Green channel LED won't light up, channel isn't working	Possibility 1- Dead short or overload	Shut off power, detect short, restore power, channel will reset.
	Possibility 2- Bad solenoid in exit device, or defective interface device between solenoid and power supply.	Check solenoid coil resistance and compare to manufacturer spec. If not close, contact service representative.
• Power supply not working and red LED not lit.	Possibility 1- AC fuse blown	Replace fuse with 2A Slow Blow 250VAC 5mm x 20mm
	Possibility 2- Short Circuit	If replacement fuse has blown then there is likely a short circuit in the board & it will need to be replaced.

## Installation Instructions

# PS210



## DESCRIPTION

The PS210 power supply is a regulated, linear power supply rated at 1.5 Amps continuous but designed to provide the brief current surge required by 24VDC for electrified locking hardware: locksets, strikes, maglocks, and latch retraction devices.

## SPECIFICATIONS

- Input voltage: 120 VAC, 60Hz, 2 Amp Input fuse
- Output voltage: Regulated 24VDC +/- 10%.
- Current Rating: 1.5 Amps continuous; 2 Amp Boost @ 20% duty cycle
- UL294 Sixth edition
- Class 2 Rated power limited output
- Input: 1 independent, solid-state input triggered by N.C. dry contact
- Solid-State Output: 1 Auto Resetting rated 1.5 Amp
- Enclosure: 11"W x 11"H x 4"D
- AC Fuse Type: 5mm x 20mm: rated @ 2 Amp 250VAC
- LEDs: Red = A/C Power Indicator, Green = D/C Output Indicator,
- Temperature Range: 0 to 49° C
- Maximum humidity: 85%
- Made in USA
- UL294 (6e) Security Levels:  
Destructive Attack: Level I  
Line Security: Level I  
Endurance: Level IV  
Standby Power: Level I

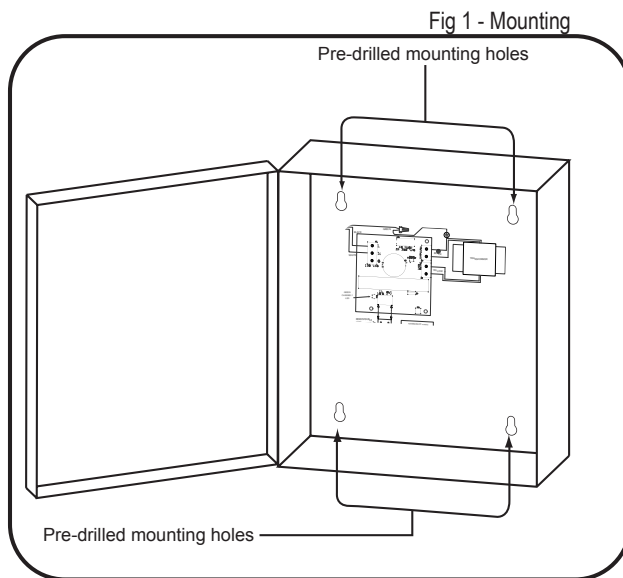


## Mounting Notes

1. For UL Installations, the power supply must be installed in the protected area within an Access Controlled room
2. Must be Installed within accordance with the National Electrical Code, ANSI/NFPA 70.
3. Must be Installed within accordance with Local authority having jurisdiction.
4. The AC input wiring shall
  - a. be in conduit,
  - b. be minimum No. 18 AWG wire,
  - c. maintain ¼ inch spacing between non power-limited wiring, and
  - d. be fail safe to meet the requirements of NFPA 101, Paragraph 7.2.1.6.

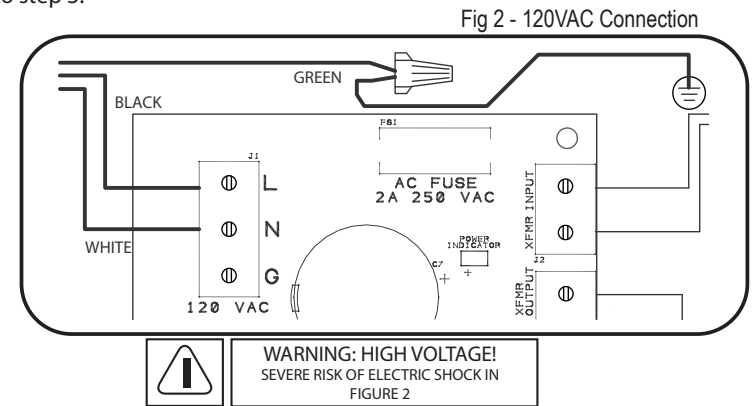
## STEP 1 - Mount the power supply

1. Find a cool and dry location to mount the power supply.
2. Using the four mounting holes in the power supply box, secure the box to a wall or other solid surface.  
(Note: The box is designed & approved for indoor use only.)
3. Proceed to step 2.



## STEP 2 - 120VAC wiring connection

1. Make sure 120VAC service is off at power supply PS210 (Breaker should be shut off).
2. Make sure 120VAC supply wire is rated at 90° C or higher.
3. Connect 120VAC supply wire to the terminal block. Connect ground to pigtail attached to enclosure.
4. Restore AC power to power supply. Red LED should now be on.
5. Proceed to step 3.



## STEP 3 - Wiring the Electrified Locking Hardware

1. Shut off breaker supplying AC power to the power supply.

NOTE: NO VOLTAGE ON INPUTS...DRY CONTACT ONLY

2. Using wiring diagram in fig 3.1, wire your exit devices.
3. Restore power to power supply and trigger exit devices to make sure they are working correctly.

